



PRODUCT CATALOGUE - 2026




The information contained within this catalog is provided for reference only and is subject to modification. Mangalam will not be held responsible for any errors that may occur in the printing process. Furthermore, Mangalam assumes no responsibility for the application or use of the information contained herein; this material is intended for trained technical persons, and its use is entirely their responsibility.



**KEEP
YOUR
MIND'S
WINDOW
WIDE-OPEN**

Let Us Allow Fresh Air
With
Fresh Thought To Enter





Established in 2012, Mangalam is an Indian Company specialized in the design and Manufacture of Window and Door hardware.

Mangalam's Manufacturing Plant is located in Mumbai MMR Bhiwandi, Western India and spans 15000 Sq.ft. with over 70 Employees.

Mangalam's stringent quality control and ease of doing business has achieved customer expectation and most importantly long term customer satisfaction.

Our primary goal to understand customer need and provide the ultimate in quality, technical & satisfaction.

A flexible experienced management team and tightly integrated operational structure allows us to anticipate and respond rapidly to customer needs. We deliver innovative Products of outstanding quality in very cost effective and reasonable price.

RAHUL SHASHIKANT SHAH
Founder

Index

01

20mm x 54mm
Sliding Series

05

22mm x 60mm
Sliding Series

06

25mm x 63mm
Sliding Series

12

26 mm Gulf
Sliding Series

14

27mm x 65mm
Sliding Series

21

29mm x 65mm
Sliding Series

27

31mm Gulf
Sliding Series

29

32mm x 65mm
Sliding Series

34

35mm x 75mm
Sliding Series

38

35 mm Gulf
Sliding Series

42

37mm x 82mm
Sliding Series

47

Window
Lock

52

Woolpile

57

Sliding
Multipoint Lock

63

Sliding Multipoint
EURO

69

Polyamide &
Aluminium Rod

70

Track Rail &
Security Mesh

72

40mm
Casement Series

75

50mm
Casement Series

79

52mm & 45mm
Casement Series

84

Friction Stay &
Stay Arm

86

Single Point
Handle

87

Casement
Multipoint Lock

91

Casement
Two Point Lock

93

Mortice
Door Lock

97

Sliding Folding
Door Series

98

SDF
Combination

99

Tilt & Turn Window
Hardware Set

100

EPDM
Gaskets

101

PVC Packing Shim
Railing Packers

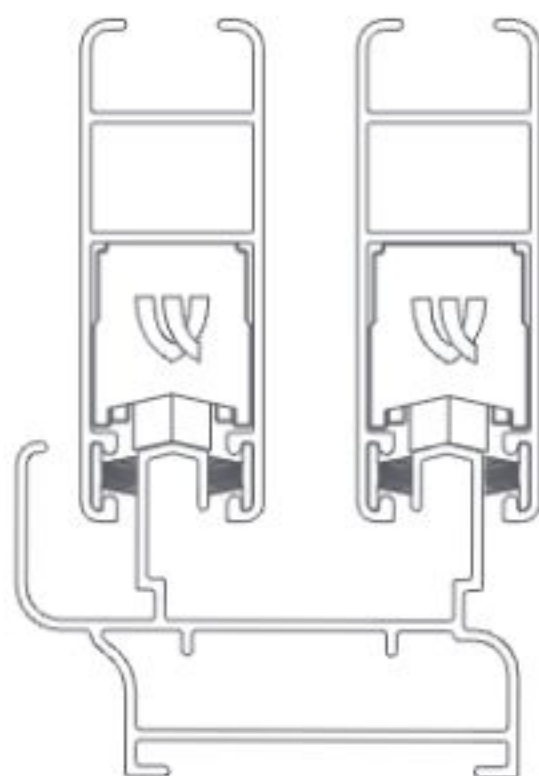


Key Features

- Inspired by Italian design
- Suitable glass Upto 6mm
- Provision For Slim interlock
- Provision for water drainage
- Maximum shutter height 5.5 ft.
- Cost effective system



Scan To Assembly Video





20mm x 54mm Sliding Series



2001
Single Roller
15kg / Pair
₹ 27.00



2002
Double Roller
25 kg / Pair
₹ 50.00



2003
Corner Cleat
₹ 24.00



2003A
Corner Cleat Magic
₹ 30.00



2003B
Corner Cleat - Die Cast
₹ 31.00



2004
Solid Angle Nylon
₹ 8.00



2005
Slim Inter Lock Cap
₹ 5.00



2006
Lock Guide
₹ 5.00

20mm x 54mm Sliding Series



2007A
Antilift rattle lock Stopper
₹ 10.00



2008
Chevron Plastic - L
₹ 1.50



2009
Shutter Wing Connector
₹ 1.50



2010
Chevron Plastic
₹ 1.50



2011
Screw Hole Cap
10 MM - ₹ 0.60
12 MM - ₹ 0.90



2012
Corner Cleat Slim Interlock
₹ 30.00



EPDM Press Rubber
ORPL 37 for 5mm Glass (Wt..48gm/rmt)
ORPL 38 for 4mm Glass (Wt.50gm/rmt)
₹ 325 per kg.



EPDM U Type
ORPL 305 For 5 mm - Wt.78 gm/rmt
ORPL 24 For 4 mm - Wt.101 gm/rmt
₹ 325 per kg.



Woolpile
Woolpile 6.8 x 5 - ₹ 2.40/rmt
Woolpile Silicated 6.8 x 5 - ₹ 6.15/rmt
Woolpile with PVC Fin 6.8x5x5.5 - ₹ 9.00/rmt

Suitable Window Lock WL 1 - ₹ 130



ROLLER

Product code	Roller Grooves	Product Typology	Weight Capacity	Product Dimensions
2001			15 kg / Pair	
2002			25 kg / Pair	

CORNER CLEAT

Product code	Product Dimensions	Punching Dimensions
2003		
2003B		
2012		

INTERLOCK CAP

Product code	Product Dimensions	Punching Dimensions
2005		

22mm x 60mm Sliding Series



2201
Single Roller
15kg / Pair
₹ 29.00



2202
Single Roller
25kg / Pair
₹ 29.00



2203
Double Roller
35kg / Pair
₹ 51.00



2206
Corner Cleat
₹ 31.00



2207
Interlock Cap
₹ 7.25



2208
Antilift Handle
₹ 7.25



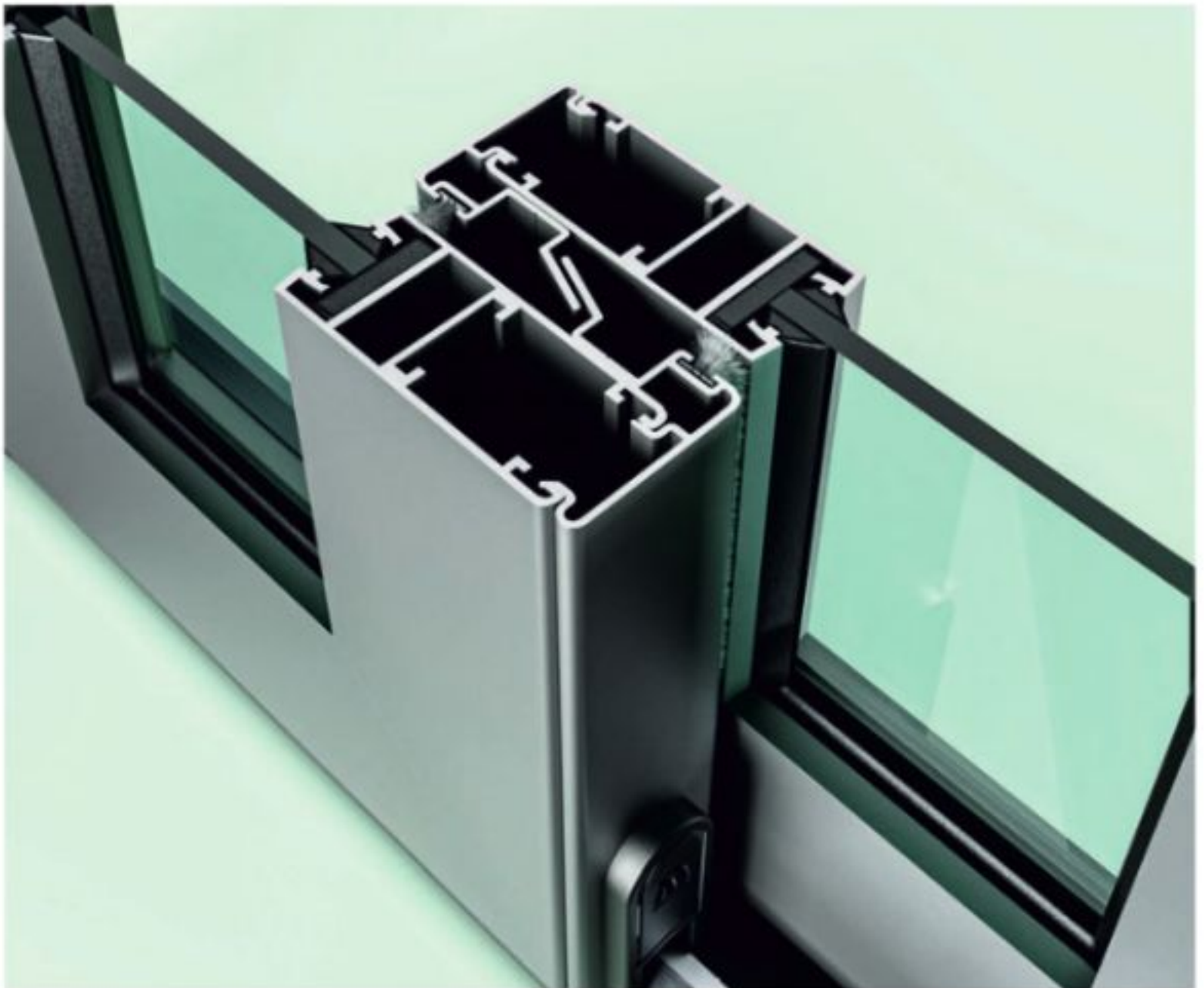
2211
Inter Lock Guide
₹ 7.25



2212
Shutter wins Connector
₹ 1.50



25mm x 63mm Sliding Series

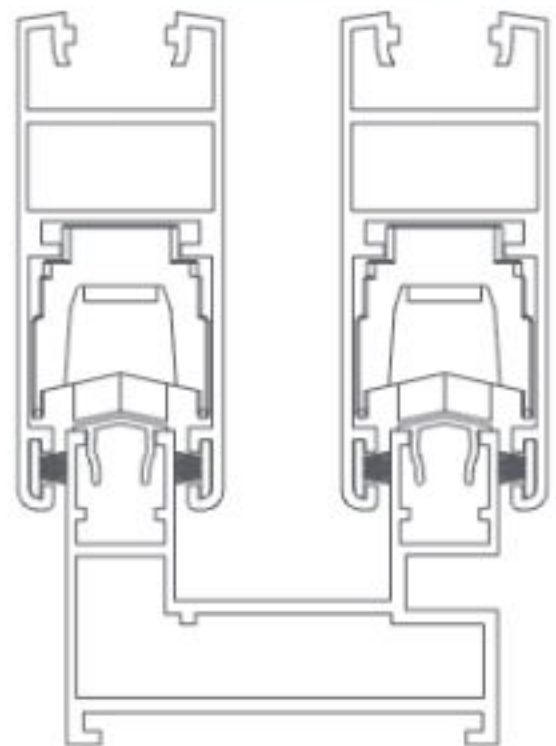


Key Features

- European design
- Suitable glass SGU & DGU
- Slim interlock with KPA
- Add on SS & Aluminium rail
- Suitable Multipoint Locking System



Scan To Assembly Video



25mm x 63mm Sliding Series



2501 - U/V
Single Roller
25kg / Pair
₹ 29.00



2502 - U/V
Double Roller
65 kg / Pair - ₹ 58.00
90 kg / Pair - ₹ 90.00



2502 Ultra SS Roller U
Double Roller
120kg / Pair
₹ 250.00



2502A U/V
Double Adjustable Roller
65kg / Pair - ₹ 102.00
90kg / Pair - ₹ 123.00



2503
Slim Interlock Cap
₹ 10.00



2504
Corner Cleat Frame
₹ 38



2504A - Diecast
Corner Cleat Frames
₹ 38



2505
Corner Cleat Shutter
₹ 31



2505A - Diecast
Corner Cleat Shutter
₹ 36.00



25mm x 63mm Sliding Series



2506 - SG/DG
Corner Cleat Slim Interlock
₹ 36.00



2507
Shutter Wing Connector
₹ 1.50



2508
Lock Guide Stopper
₹ 12.00



2509
Antilift / Rattling Lock Guide
₹ 15.00



2510
Dust Pad
₹ 20.00



2512
KPA End Cap
₹ 10.00



2512A
KPA Rectangle End Cap
₹ 10.00



2513
Non Return Valve
₹ 6.00



2514
Chevron Plastic - L
₹ 1.50

25mm x 63mm Sliding Series



2515
Chevron Plastic 90°
₹ 1.50



2516
Screw Hole Cap
₹ 0.90



2517
Drain Slot Cover
With Flip - ₹ 10.00
Without Flip - ₹ 4.25



2518
Lock Keep For Frame
₹ 36.25



EPDM Press Rubber
ORPL 39/37 for 5mm Glass
ORPL 38/37 for 6mm Glass
ORPL 36/34 for 18mm Glass
₹ 325 per kg.



EPDM For Open Track
ORPL 5632 (wt.78gm/rmt)
₹ 325 per kg.



Woolpile
Woolpile Silicated 6.8 x 5. ₹ 6.15/rmt
Woolpile with PVC Fin 6.8x5x5.5. ₹ 9.00/rmt
Woolpile with Fabric Fin 6.8x5.5x7. ₹ 11.50/rmt

- Suitable Locking System
- Window Lock
WL 6 / 7 / 8 / 9 / 10 / 12
 - Sliding Multipoint Lock Euro



ROLLER

Product code	Roller Grooves U Groove V Groove	Product Typology	Weight Capacity	Product Dimensions
2501			25 kg / Pair	
2502			65 kg & 90kg / Pair	
2502A			65 kg & 90kg / Pair	
2502U			120kg / Pair	

Miscellaneous Products

Product code	Product Dimensions
2518	
2513	
2510	
2517	



CORNER CLEAT

Product code

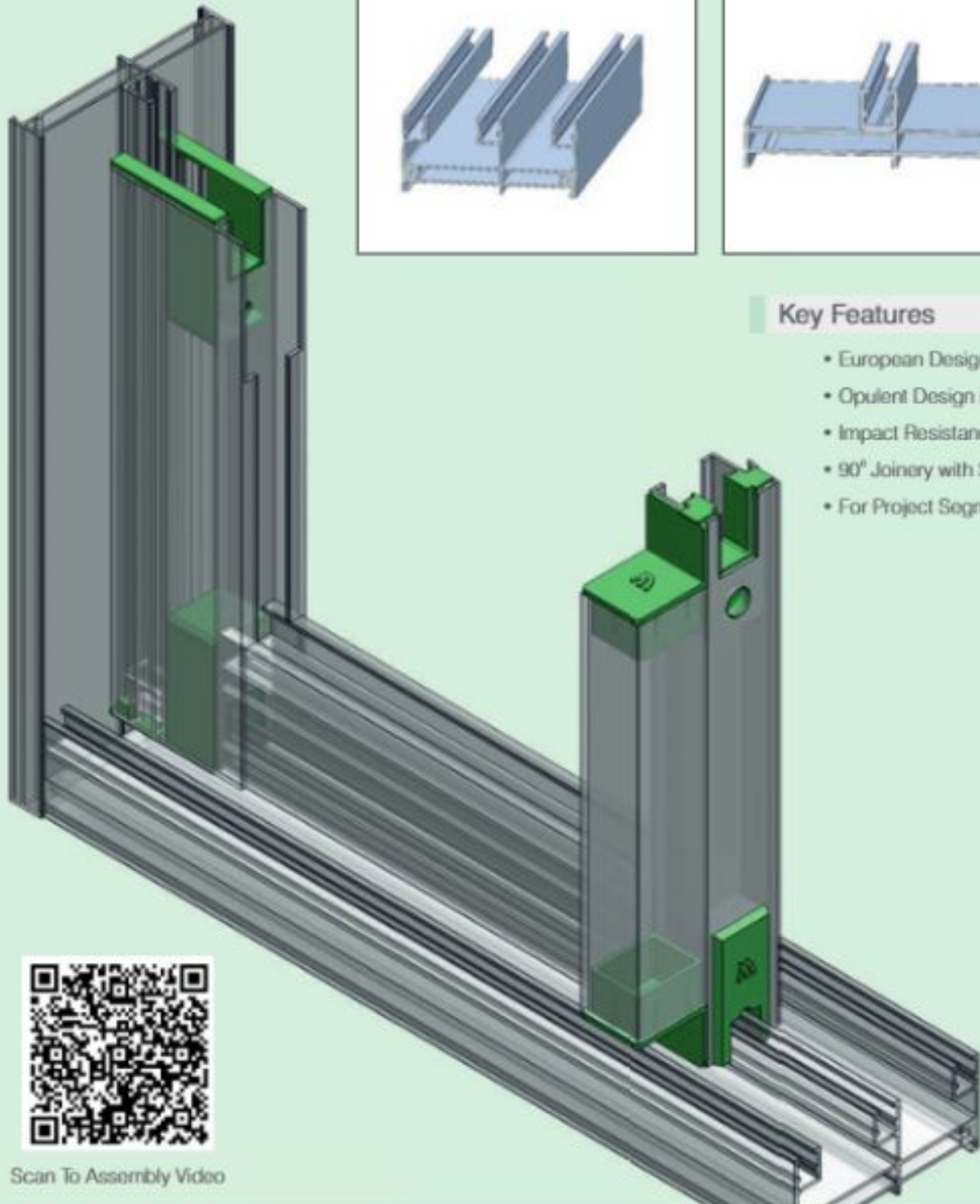
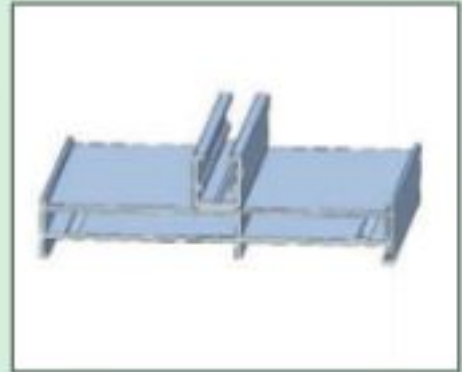
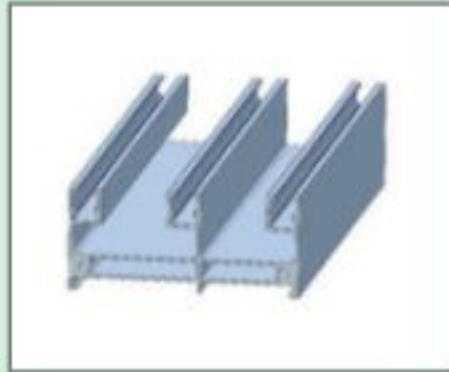
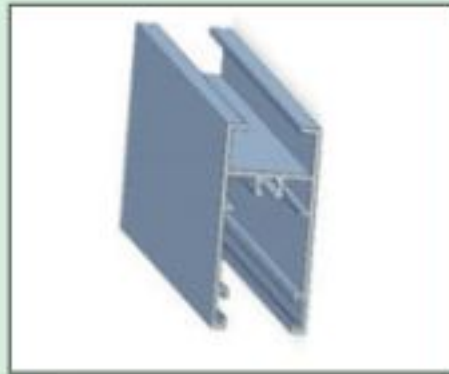
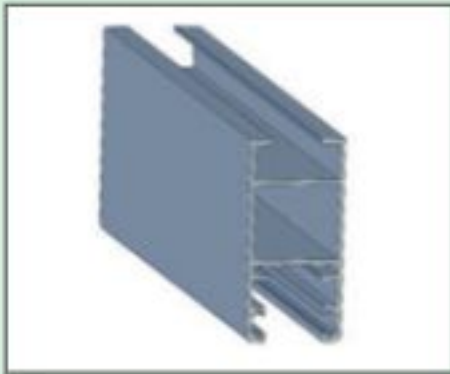
Product Dimensions

Punching Dimensions

2504		
2504A		
2505		
2505A		
2506		
2503		



26mm Gulf Sliding Series (90° Snap Fitting)



Key Features

- European Design
- Opulent Design in Budget
- Impact Resistance
- 90° Joinery with Snap Fitting
- For Project Segment



Scan To Assembly Video

26mm Gulf Sliding Series (90° Snap Fitting)



2601G
Double Roller
65 kg / Pair
₹ 58.00



2602G
Inter Lock Cap
₹ 10.00



2603G
Interlock Junction Plug
₹ 10.00



2604G
Handle Junction Plug
₹ 12.00



2605G
Antilift Lock stopper
₹ 15.00



2606G
Shutter Center Guide
₹ 8.00



2607G
KPA End Cap
₹ 160.0



Woolpile
Woolpile Silicated 6.8 x 6. ₹ 7.00/rmt



27mm x 65mm Sliding Series / Algeria Series



Key Features

- Italian design
- Most Popular Series In India
- Sash Size Upto W1200xH2100
- Glass Range 5mm - 20mm
- Slim Interlock Provision



Scan To Assembly Video

27mm x 65mm Sliding Series / Algeria Series



2701 U/V
Single Roller
25kg / Pair
₹ 29.00



2701B U/V
Single Roller
25kg / Pair
₹ 29.00



2702 HD U/V
Double Roller
65kg / Pair
₹ 70.00



2703 U/V
Double Roller
65kg / Pair - ₹ 58.00
90kg / Pair - ₹ 80.00



2703A U/V
Double Roller
65kg / Pair - ₹ 58.00
90kg / Pair - ₹ 80.00



2703 - Ultra SS Roller U
Double Roller
150kg / Pair - ₹ 250.00



2704A U/V LIMOUSINE
Four Wheel Roller
150kg / Pair - ₹ 160.0



2705 U/V
Double Adjustable Roller
65kg / Pair - ₹ 102.00
90kg / Pair - ₹ 123.00





27mm x 65mm Sliding Series / Algeria Series



2706A SG/DG
Corner Cleat Slim Interlock
₹ 36.00



2708
Corner Cleat Solid
₹ 31



2708A
Magic Corner Cleat
₹ 36.00



2709
Corner Cleat Diecast
₹ 38.00



2710
Interlock Cap
₹ 7.25



2710A
Slim Interlock Cap
₹ 10.00



2711A
Slim Interlock Cap
₹ 7.25



2712
Antilift / Rattling Guide
₹ 11.00

27mm x 65mm Sliding Series / Algeria Series



2713
Antilift Handle
₹ 7.25



2714 - 1/2/3/4
Frame Wing Connector
Nylon ₹ 4.25
SS ₹ 7.25



2715
Lock Guide
₹ 7.25



2715A
Lock Guide / Went Guide Wedge
₹ 10.00



2716
Top U Guide
₹ 4.25



2717
Top U Guide
₹ 4.25



2718 - Small / Big
Shutter Wing Connector
₹ 1.50



2719
Lock Guide Stopper
₹ 12.00



2720
Dust Pad
₹ 17.50



27mm x 65mm Sliding Series / Algeria Series



2721
Chevron Plastic - L
₹ 1.50



2721A
Chevron Plastic 90°
₹ 1.50



2722
Drain Slot Cover
With Flip - ₹ 10.00
Without Flip - ₹ 4.25



2723
Screw Hole Cap
10mm - ₹ 00.60
12mm - ₹ 00.90
11mm - ₹ 1.20 (Plastic)



2725
Non Return Valve
₹ 6.00



2726
KPA End Cap
₹ 10.00



2727
KPA End Cap
₹ 10.00



2728
KPA End Cap Rectangle
₹ 10.00



Woolpile
Woolpile Silicated 6.8 x 6 ₹ 7.00/mt
Woolpile with PVC Fin 6.8x6x6.5 ₹ 9.60/mt
Woolpile with Fabric Fin 6.8x5.5x7. ₹ 11.50/mt



EPDM U Type
ORPL 247/4350 For 5 mm/mt
ORPL 218 For 4 mm/mt
ORPI 258 For 18 mm/mt
₹ 325 per kg.



ROLLER

Product code	Roller Grooves V Groove U Groove		Product Typology	Weight Capacity	Product Dimensions
2701				25 kg / Pair	
2701B				25 kg / Pair	
2702 HD				65 kg / Pair	
2703				65 kg & 90 kg / Pair	
2703 A				65 kg & 90 kg / Pair	
2703 SS	N.A.			150 kg / Pair	
2704 A				150 kg / Pair	
2705				65 kg & 90 kg / Pair	



Miscellaneous Products

Product code	Product Dimensions	Product Code	Product Dimensions
2720		2725	
2722		2718	

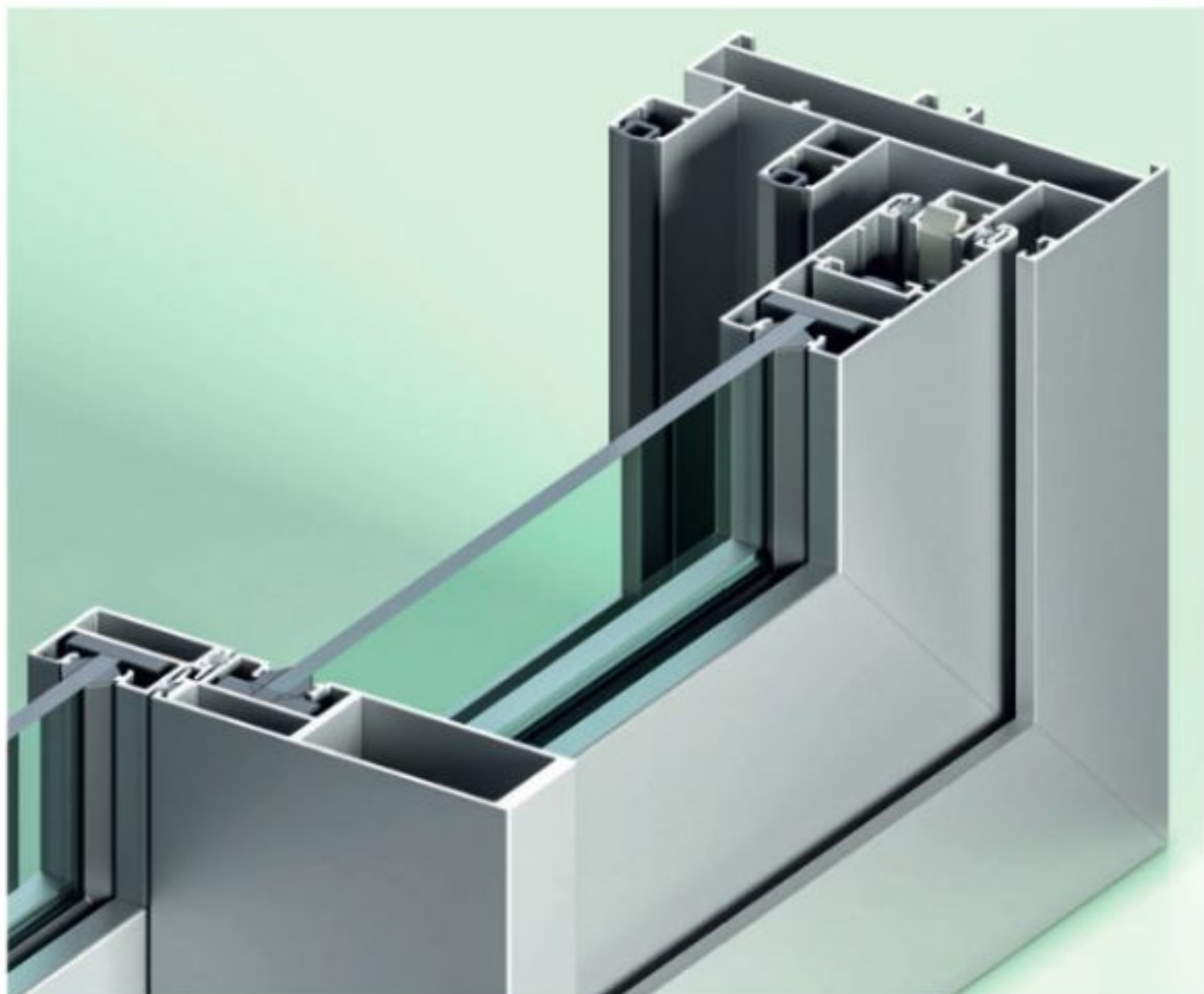
Corner Cleat

Product code	Product Dimensions	Punching Dimensions
2708		
2709		
2706A		

Miscellaneous Products

Product code	Product Dimensions	Punching Dimensions
2710		
2710A		

29mm x 65mm Sliding Series

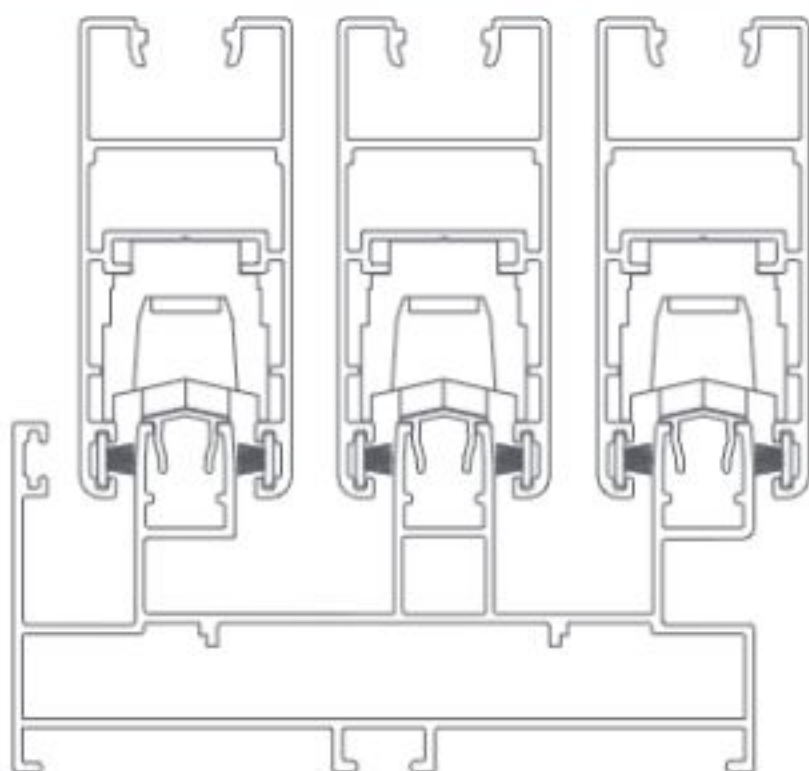


Key Features

- European Design
- Sash Size W1050 x H2200
- Slim interlock with KPA
- Add on SS & Aluminium rail
- Suitable Multipoint Locking System



Scan To Assembly Video





29mm x 65mm Sliding Series



2901 U/V
Single Roller
25kg / Pair - ₹ 35.00



2902 U/V
Double Roller
65kg / Pair - ₹ 58.00
90kg / Pair - ₹ 90.00



2902-Ultra U
Double Roller SS Wheel
130kg / Pair - ₹ 250.00



2903 U/V
Double Adjustable Roller
90kg / Pair - ₹ 133.00



2904
Corner Cleat
₹ 38.00



2905
Corner Cleat Die Cast
₹ 38.00



2906
Slim Interlock Cap
₹ 12.00



2906A
Interlock Cap
₹ 9.50

29mm x 65mm Sliding Series



2907
Top U Guide
₹ 8.50



2908 Small/Big
Shutter Wing Connector
₹ 1.50



2909
Lock Guide Stopper
₹ 12.00



2910
Dust Pad
₹ 20.00



2911
Chevron Plastic - L
₹ 1.50



2912
Drain Slot Cover
With Flip - ₹ 10.00
Without Flip - ₹ 4.25



2913
Screw Hole Cap
12mm - ₹ 00.90



2914
Lock Keep For Frame
₹ 36.25



29mm x 65mm Sliding Series



2915 SG/DG
Corner Cleat Slim Inter Lock
₹ 36.00



2916
Antilift Lock Guide
₹ 15.00



2916A
Antilift/Rattlings Lock Guide
₹ 17.00



2918
Non Return Valve
₹ 6.00



2919
KPA End Cap
₹ 15.00



EPDM Press Rubber
ORPL 38/39 For 5 mm
ORPL 38/38 For 4 mm
₹ 325 per kg.






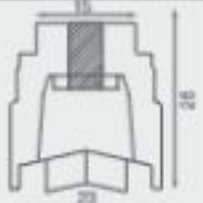

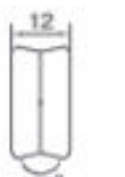

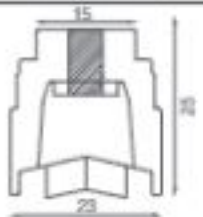


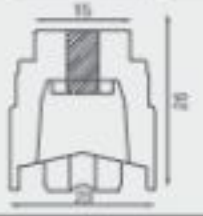

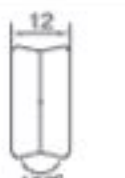

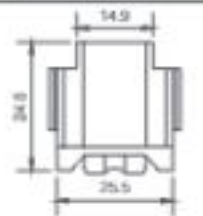
EPDM For Open Track
ORPL 5632 (wt. 78gm/rmt)
₹ 325 per kg.







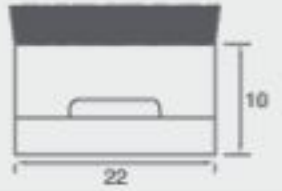
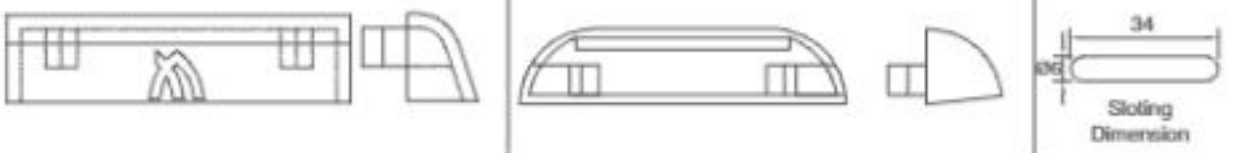
Woolpile
Woolpile Silicated 6.8 x 6 ₹ 7.00/rmt
Woolpile with PVC Fin 6.8x6x6.5 ₹ 9.60/rmt
Woolpile with Fabric Fin 6.8x5.5x7. ₹ 11.50/rmt



ROLLER

Product code	Roller Grooves U Groove V Groove	Product Typology	Weight Capacity	Product Dimensions
2901	 		25 kg / Pair	
2902	 		65 kg & 90kg / Pair	
2902U	 N.A.		120 kg / Pair	
2903	 		90 kg / Pair	

Miscellaneous Products

Product code	Product Dimensions
2914	 
2918	
2910	 
2912	



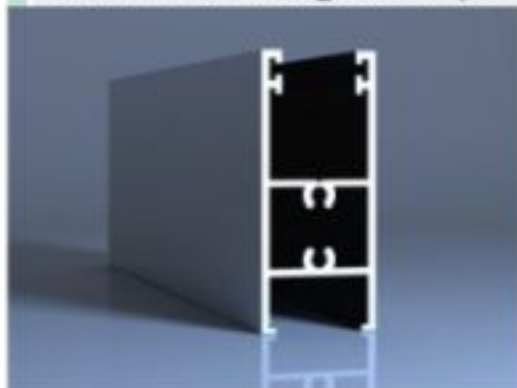
CORNER CLEAT

Product code	Product Dimensions	Punching Dimensions
2904		
2905		
2915		

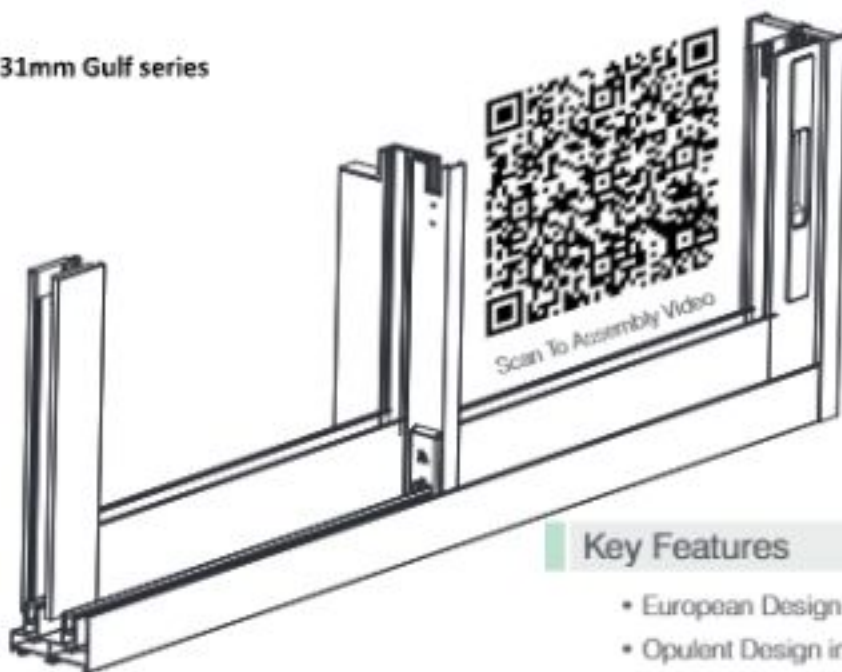
INTERLOCK CAP

Product code	Product Dimensions	Punching Dimensions
2906		
2906A		

31mm Gulf Sliding Series (90° Snap Fitting)

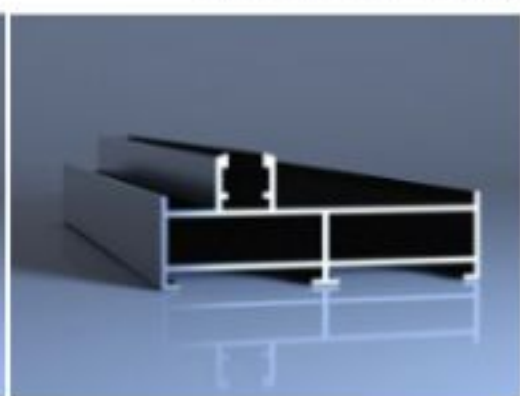
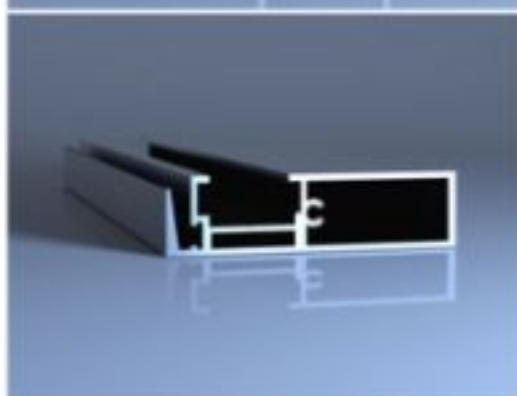


31mm Gulf series



Key Features

- European Design
- Opulent Design in Budget
- Impact Resistance
- 90° Joinery with Snap Fitting



3101G

Double Adjustable Roller 80 KG
15 x 17 x 150
₹ 85.00



3102G

Interlock Cap
₹ 12.00



3103G

Anti Lift Rattling - Lock Guide
₹ 15.00



3104G

Handle Junction Plug
₹ 15.00



31mm Gulf Sliding Series (90° Snap Fitting)



3112G
Shutter Center Guide
₹ 8.00



3106G
Dust Pad
₹ 20.00



3107G
Interlock End Cap
₹ 15.00



3108 Drain Slot Cover
Without Flip - ₹ 4.25
With Flip - ₹ 10.00



3109
Non Return Valve
₹ 6.00



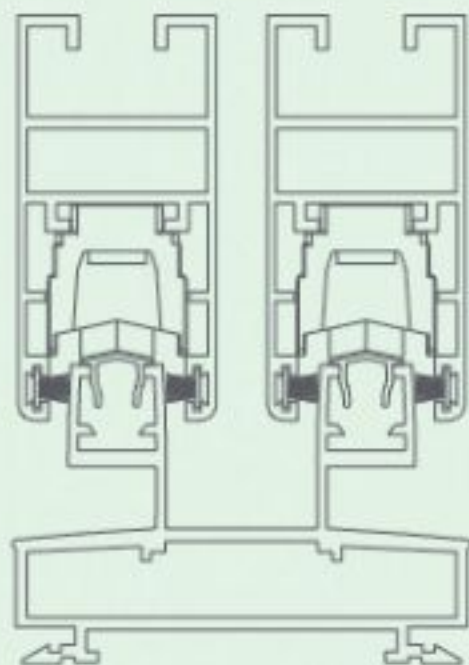
3110
Screw Hole Cap
₹ 0.90 for 12mm



3111
Lock Keep For Frame
₹ 36.25



Woolpile
Woolpile Silicated 4.8x6 ₹ 7.00
Woolpile with PVC Fin 4.8x6x6 ₹ 9.60



Key Features

- European Design
- For Premium Project Series
- Impact Resistance
- Perfect For French Window
- Sash Size W1200 X H2400
- Windload : 1.6 kpa
- Air Tightness : 300 pa
- Water Tightness : 150 pa
- Single/Multipoint Locking System



Scan To Assembly Video



32mm x 65mm Sliding Series



3201 U/V
Single Roller
25kg / Pair - ₹ 35.00



3202 U/V
Double Roller
90kg / Pair - ₹ 90.00



3202-Ultra U
Double Roller SS Wheel
130kg / Pair - ₹ 250.00



3202A U/V
Double Adjustable Roller
90kg / Pair - ₹ 135.00



3203
Slim Interlock Cap
₹ 15.00



3204
Corner Cleat Frame/Shutter
₹ 40.00



3205 SG/DG
Corner Cleat Slim Interlock
₹ 40.00



3206
Lock Keep For Frame
₹ 36.25

32mm x 65mm Sliding Series



3207 Small/Big
Shutter Wing Connector
₹ 1.50



3208
Lock Guide Stopper
₹ 12.00



3209
Antilift/Rattling Lock Guide
₹ 15.00



3210
Dust Pad
₹ 22.00



3212
KPA End Cap
₹ 15.00



3213
Non Return Valve
₹ 6.00



3214
Chevron Plastic - L
₹ 1.50



3215
Chevron Plastic 90°
₹ 1.50



32mm x 65mm Sliding Series



3216
Screw Hole Cap 12mm
₹ 0.90



3217 Drain Slot Cover
With Flip ₹ 10.00
Without Flip ₹ 4.25



3218
KPA End Cap
₹ 15.00



EPDM Press Rubber
ORPL 38/39 For 5mm
ORPL 38/38 For 6mm
ORPL 40 For 18mm
₹ 325 per kg.



EPDM For Open Track
ORPL 5632 (wt. 78gm/rmt)
₹ 325 per kg.



EPDM For Interlock
ORPL 4672
₹ 325 per kg.




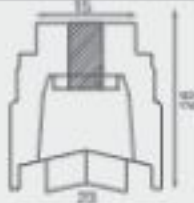

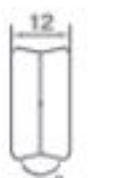

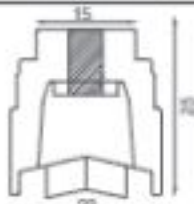


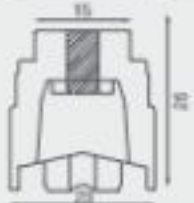

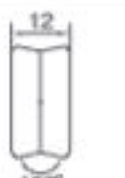

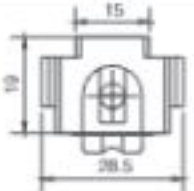


EPDM U Type
ORPL 4350 For 6 mm
ORPL 218 For 5 mm
₹ 325 per kg.

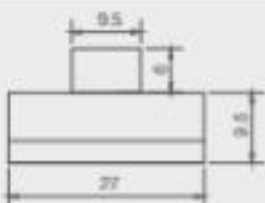
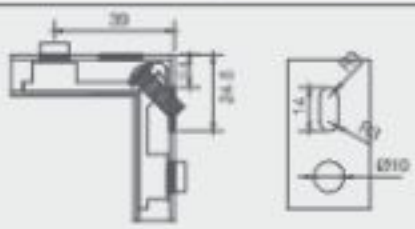
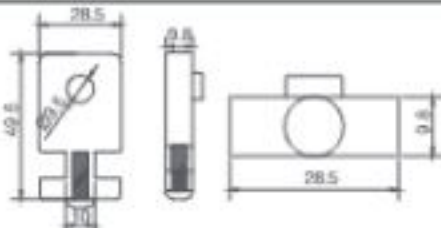
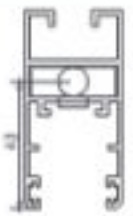


Woolpile
Woolpile Silicated 6.8 x 6 ₹ 7.00
Woolpile with PVC Fin 6.8x6x6.5 ₹ 9.60
Woolpile with Fabric Fin 6.8x5.5x7. ₹ 11.50


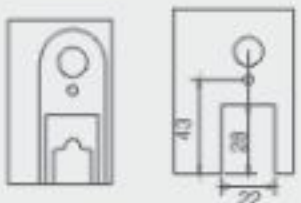
ROLLER

Product code	Roller Grooves U Groove V Groove	Product Typology	Weight Capacity	Product Dimensions
3201	 		25 kg / Pair	
3202	 		65 kg & 90kg / Pair	
3202U	 N.A.		120 kg / Pair	
3202A	 		90 kg / Pair	

Corner Cleat

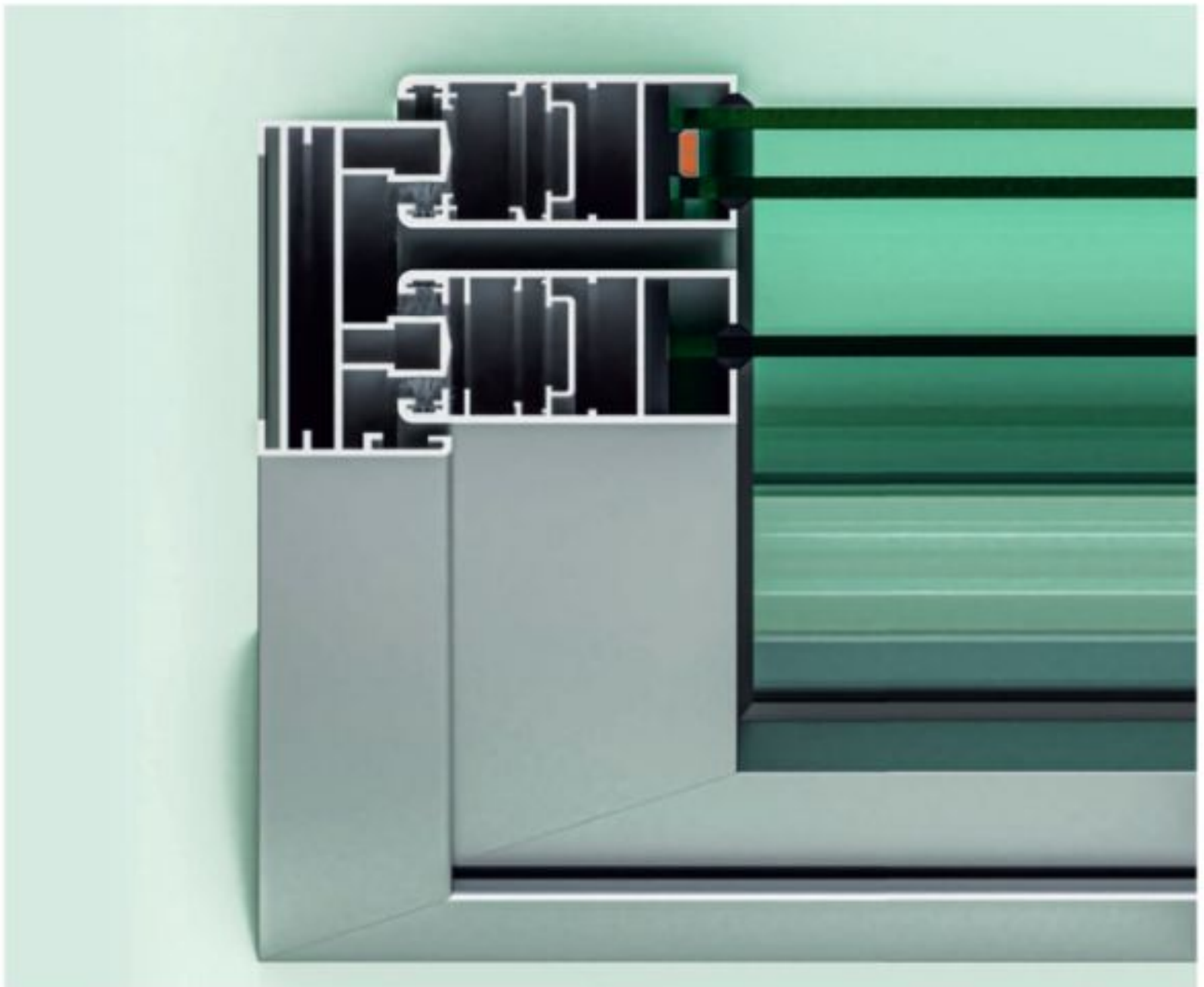
Product code	Product Dimensions	Punching Dimensions
3201		
3202		

INTERLOCK CAP

Product code	Product Dimensions	Punching Dimensions
3203		



35mm x 75mm Sliding Series

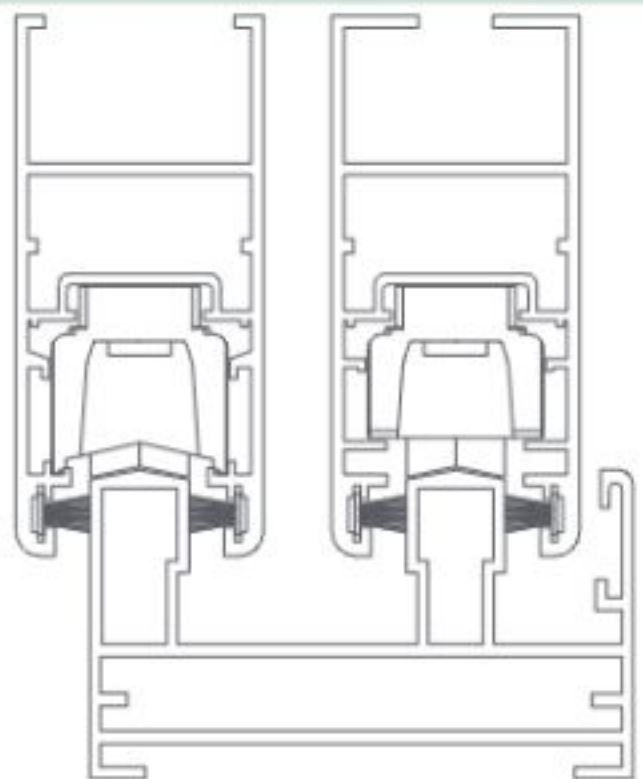


Key Features

- European Design
- For Premium Project Series
- Heavy Weight Range Suitable For Govt. Project
- Sash Size W1500 X H2400
- Windload : 1.8 kpa
- Air Tightness : 400 pa
- Water Tightness : 150 pa
- Single/Multipoint Locking System
- Provision for Slim Interlock/KPA



Scan To Assembly Video



35mm x 75mm Sliding Series



3500 U/V
Single Roller
30kg / Pair - ₹ 50.00



3501 U/V
Double Roller
120kg / Pair - ₹ 123.00



3501- Ultra U
Double Roller SS Wheel
160kg / Pair - ₹ 275.00



3501A U/V
Double Adjustable Roller
90kg / Pair - ₹ 160.00



3502
Corner Cleat
₹ 51.00



3502A
Corner Cleat Jindal
₹ 51.00



3502B
Corner Cleat Die Cast
₹ 55.00



3502C SG/DG
Corner Cleat Slim Interlock
₹ 40.00



35mm x 75mm Sliding Series



3503
Lock Guide Stopper
₹ 14.50



3504
Interlock Cap
₹ 9.50



3504A
Slim Interlock Cap
₹ 15.00



3505
Dust Pad
₹ 21.75



3506
Lock Guide
₹ 8.50



3507
Antilift Handle
₹ 11.50



3508
Top U Guide
₹ 8.50



3509 - 1/2/3
Frame Wing Connector
Nylon ₹ 4.25
SS ₹ 7.25

35mm x 75mm Sliding Series



3510
Shutter Wing Connector
₹ 1.50



3511
Drain Slot Cover
With Flip ₹ 10.00
Without Flip ₹ 4.25



3512
Screw Holocap
₹ 0.90



3514
Non Return Valve
₹ 6.00



EPDM U Type
ORPL 4488 For 5 mm
₹ 325 per kg.



EPDM Press Rubber
ORPL 39/40 For 5mm
ORPL 39 For 6mm
₹ 325 per kg.



Woolpile
Woolpile Silicated 6.8 x 8 ₹ 8.00
Woolpile with PVC Fin 6.8x8x8.5 ₹ 11.50
Woolpile with Fabric Fin 6.8x7.5x9. ₹ 13.00

- Suitable Locking System
- Window Lock
WL 5 / 6 / 7 / 8 / 9 / 10 / 12
 - Sliding Multipoint Lock



35mm Gulf Sliding Series (90° Snap Fitting)



3520G - U
Single Roller
30kg / Pair - ₹ 50.00



3521G - U
Double Roller
120kg / Pair - ₹ 123.00



3522G - U
Double Roller SS Wheel
160kg / Pair - ₹ 275.00



3523G
Double Adjustable Roller SS Bracket
80kg / Pair - ₹ 90.00



3524G
Double Roller SS Bracket Four Wheel
120kg / Pair - ₹ 200.00



3525G
Inter Lock Cap
₹ 15.00



3526G
Inter Lock End Cap KPA
₹ 15.00



3527G
Interlock Junction Plug
₹ 15.00



3528G
Antilift Rattling Guide Lock Stoper
₹ 15.00



3529G
Handle Junction Plug
₹ 20.00

35mm Gulf Sliding Series (90° Snap Fitting)



3530G
Went Guide Stopper
₹ 15.00



3531G
Dust Pad
₹ 25.00



3532G
Drain Slot Cover With Flip
₹ 10.00



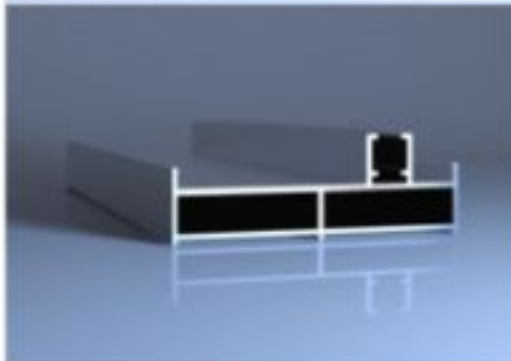
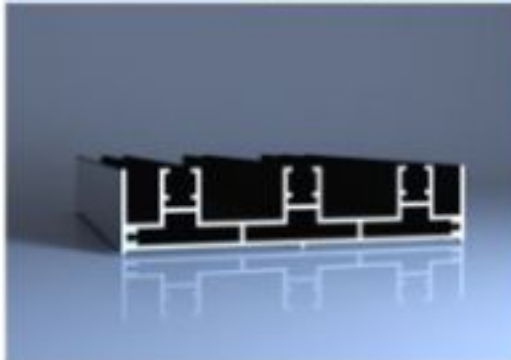
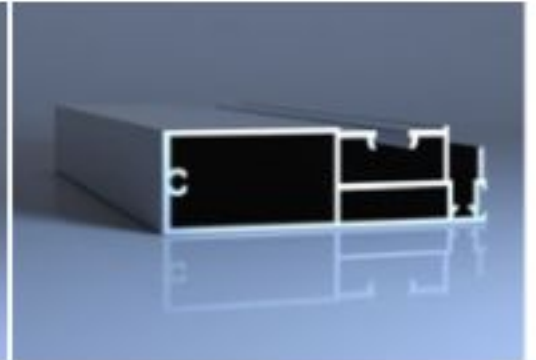
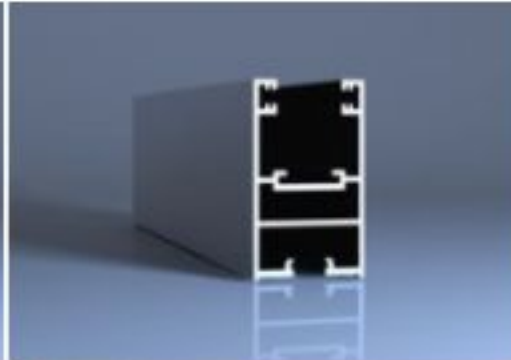
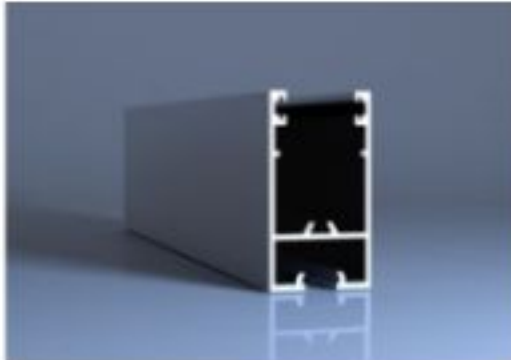
3533G
Screw Hole Cap
12mm - ₹ 0.90



3534G
Lock Keep For Frame
₹ 36.25

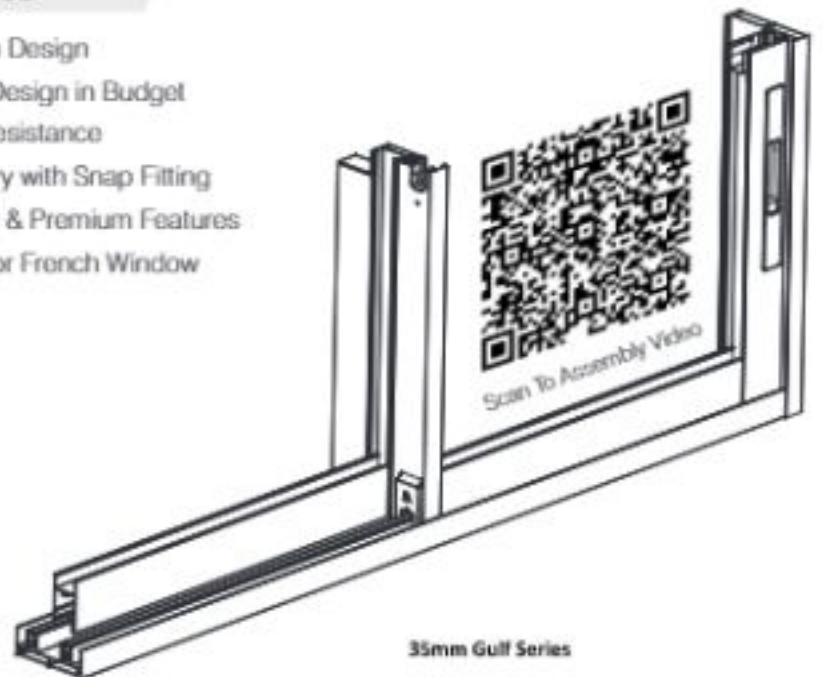


Woolpile
Woolpile Silicated 6.8x6 ₹ 7.00
Woolpile with PVC Fin 6.8x6x6.5 ₹ 9.60
Woolpile with Fabric Fin 6.8x6.5x8 ₹ 12



Key Features

- European Design
- Opulent Design in Budget
- Impact Resistance
- 90° Joinery with Snap Fitting
- All Luxury & Premium Features
- Perfect For French Window



35mm Gulf Series



ROLLER

Product code	Roller Grooves U Groove V Groove	Product Typology	Weight Capacity	Product Dimensions
3500			30 kg / Pair	
3501			120 kg / Pair	
3501U			160 kg / Pair	
3501A			90 kg / Pair	

INTERLOCK CAP

Product code	Product Dimensions	Punching Dimensions
3504		
3504A		

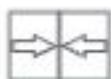


CORNER CLEAT

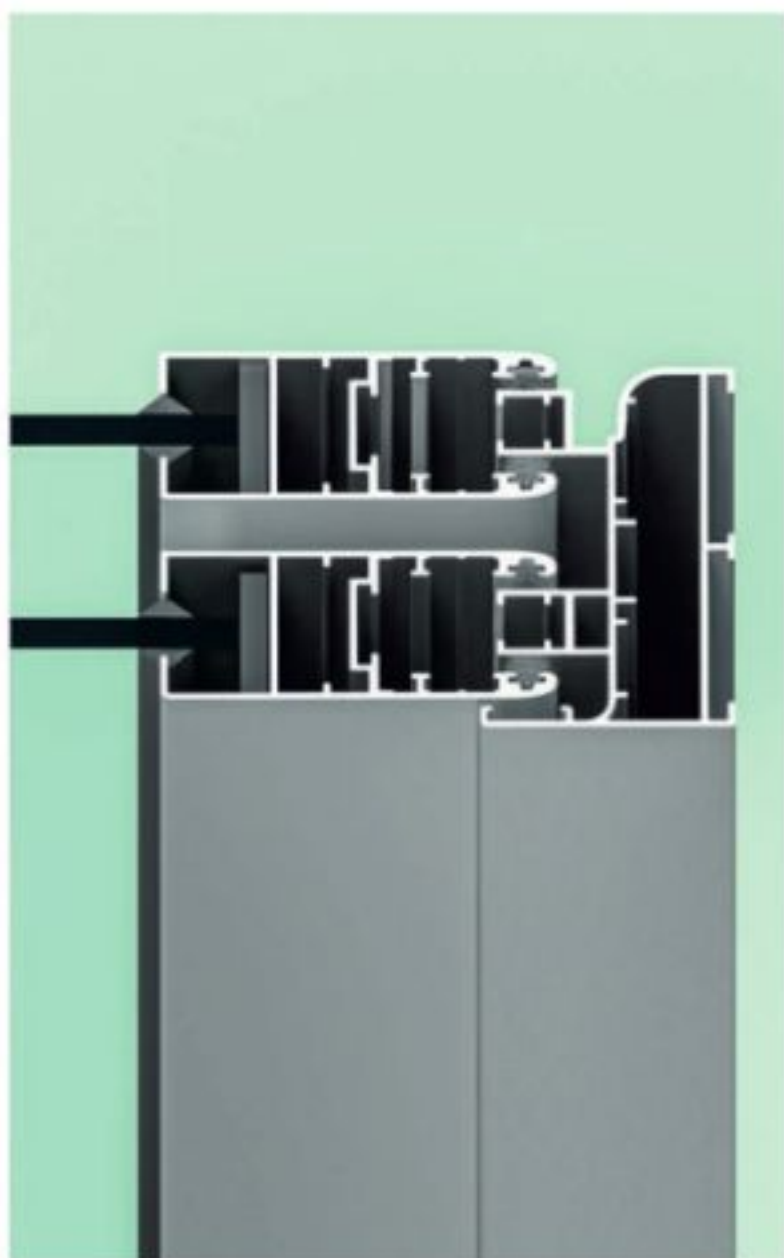
Product code	Product Dimensions	Punching Dimensions	
3502			
3502A			
3502B			
3502C			

INTERLOCK CAP

Product code	Product Dimensions	Product code	Punching Dimensions
3505		3514	
3511			



37mm x 82mm Sliding Series

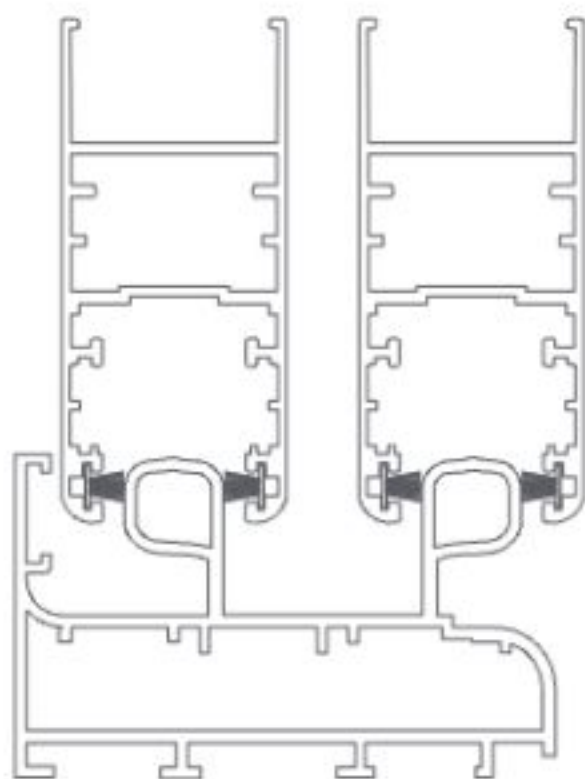


Key Features

- Italian/European Design
- Bulky and Muscular Design
- Truly French Window For Villa, Resort and Luxuries Flat
- Sash Size W1500 X H3000
- Windload : 2 kpa
- Air Tightness : 500 pa
- Water Tightness : 150 pa
- Single/Multipoint Locking System
- Provision for Slim Interlock/KPA



Scan To Assembly Video



37mm x 82mm Sliding Series



3701 - U/V
Double Roller
120kg / Pair - ₹ 123.00



3701 Ultra U
Double Roller
160kg / Pair - ₹ 275.00



3701 A U/V
Double Adjustable Roller
90kg / Pair - ₹ 160.00



3702
Corner Cleat Diecast
₹ 51.00



3703
Corner Cleat
₹ 51.00



3703A
Corner Cleat Slim Interlock
₹ 58.00



3704
Interlock Cap
₹ 14.50



3704A
Slim Interlock Cap
₹ 15.00



37mm x 82mm Sliding Series



3705
Lock Guide Stopper
₹ 14.50



3706
Top U Guide
₹ 12.00



3707
Dust Pad
₹ 21.75



3708 Small/Big
Shutter Wing Connector
₹ 1.50



3708A - 1/2/3
Frame Wing Connector
Nylon ₹ 4.25
SS ₹ 7.25



3709
Drain Slot Cover
With Flip ₹ 10.00
Without Flip ₹ 4.25



3710
Screw Holocap
₹ 0.90



3713
Non Return Valve
₹ 6.00

37mm x 82mm Sliding Series

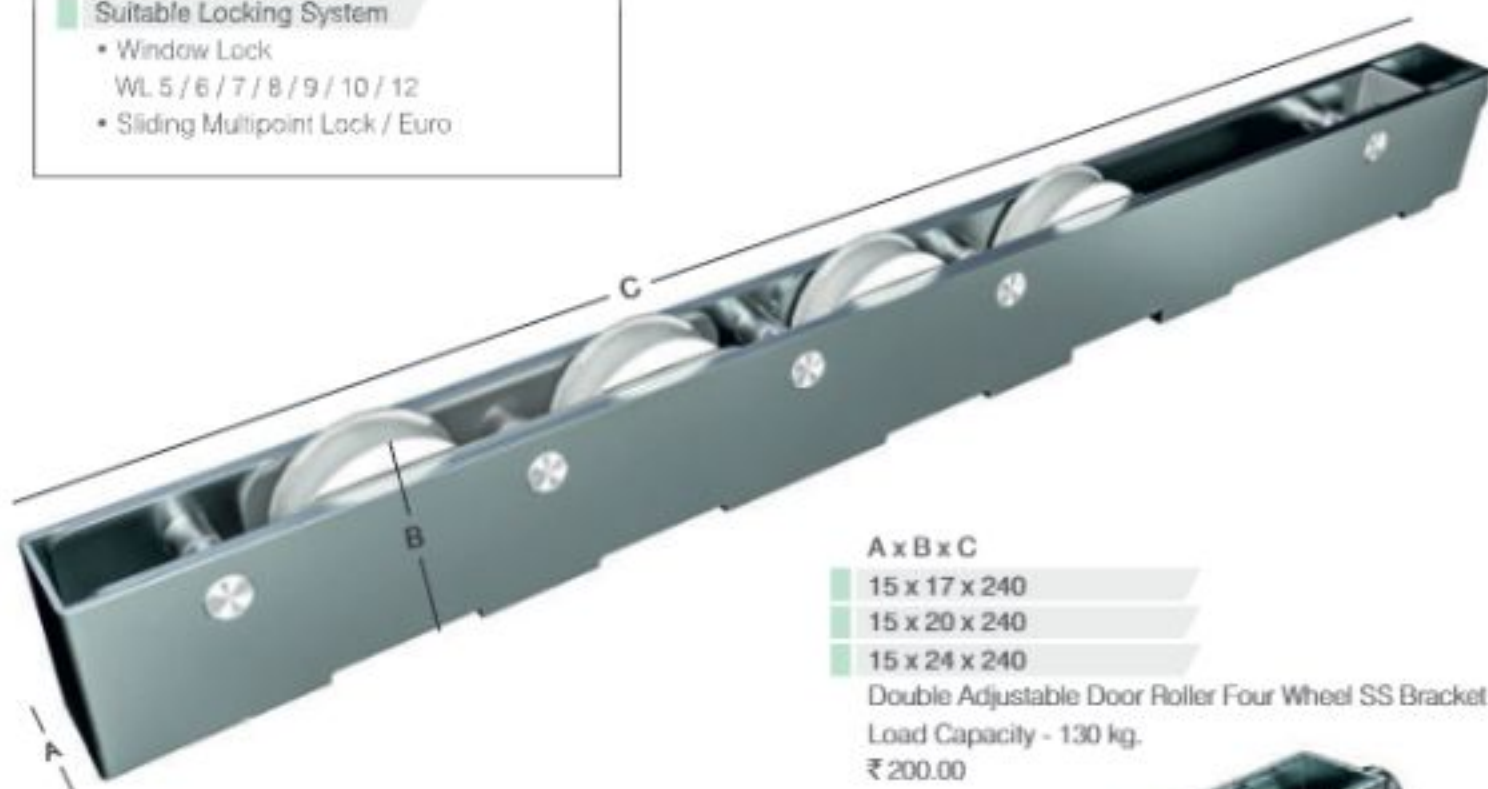


EPDM U Type
ORPL 4488 For 5 mm
₹ 325 per kg.



Woolpile
Woolpile Silicated 6.8 x 8 ₹ 8.00
Woolpile with PVC Fin 6.8x8x8.5 ₹ 11.50
Woolpile with Fabric Fin 6.8x7.5x9. ₹ 13.00

- Suitable Locking System**
- Window Lock
WL 5 / 6 / 7 / 8 / 9 / 10 / 12
 - Sliding Multipoint Lock / Euro



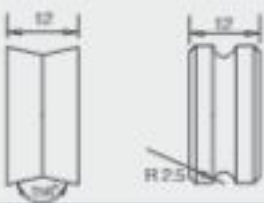

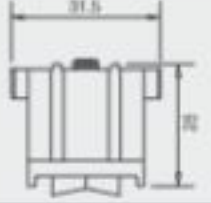

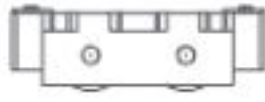
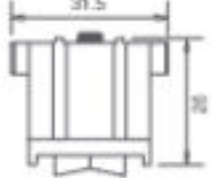
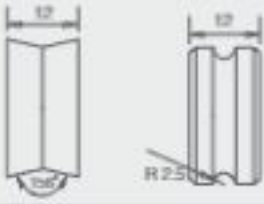

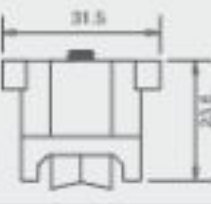
A x B x C
15 x 17 x 240
15 x 20 x 240
15 x 24 x 240
Double Adjustable Door Roller Four Wheel SS Bracket
Load Capacity - 130 kg.
₹ 200.00



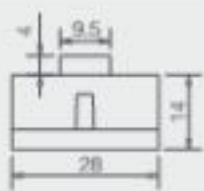
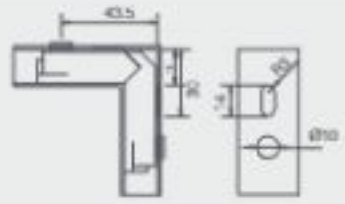
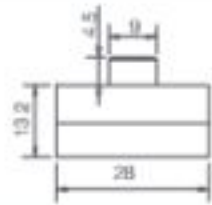
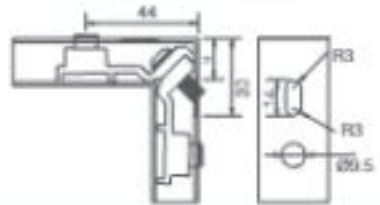
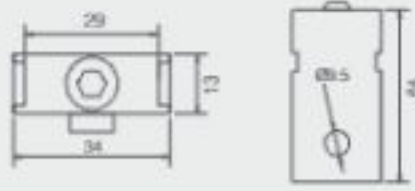

A x B x C
15 x 17 x 150
15 x 20 x 150
15 x 24 x 150
Double Adjustable Door Roller Two Wheel SS Bracket
Load Capacity - 80 kg.
₹ 80.00



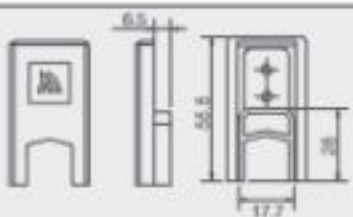
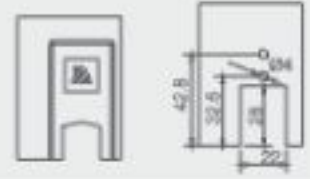
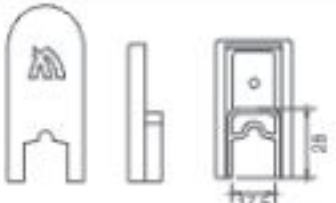
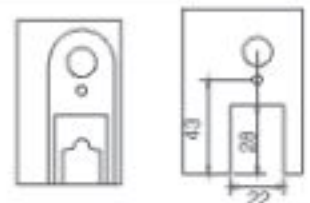
ROLLER

Product code	Roller Grooves V Groove U Groove	Product Typology	Weight Capacity	Product Dimensions
3701			120 kg/Pair	
3701U	NA 		160 kg/Pair	
3701A			90 kg/Pair	

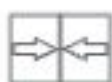
CORNER CLEAT

Product code	Product Dimensions	Punching Dimensions
3702		
3703		
3703A		

INTERLOCK CAP

Product code	Product Dimensions	Punching Dimensions
3704		
3704A		





Window Lock



WL - 1 Automatic

WL - 1 Manual

Window Lock

Colour : Black | White

₹ 130.00 *Includes MS and Stainless Counter Plate

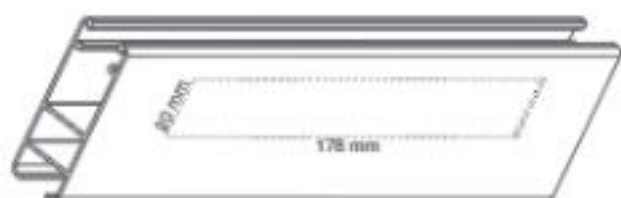


WL - 2

Window Lock Box Type

Colour : Black | White

₹ 218.00 *Includes MS and Stainless Counter Plate



WL - 3

Window Lock

Colour : Black | White

₹ 196.00 *Includes MS and Stainless Counter Plate



WL - 4

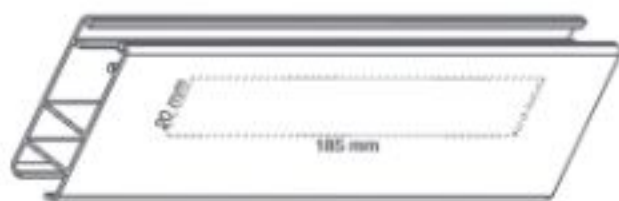
Window Lock With Button

Colour : Black | White

₹ 196.00 *Includes MS and Stainless Counter Plate



Window Lock



WL - 5

Window Lock With Key
Colour : Black | White

₹ 340.00 *Price Incl. MS and Recover Counter Plate



WL - 6 Automatic

WL - 6 Manual

Window Lock

Colour : Black | White

₹ 190.00 *Price Incl. MS and Recover Counter Plate



WL - 7

Center Lock Push Type

Colour : Black | White

₹ 167.00 *Price Incl. MS and Recover Counter Plate



WL - 8

Window Lock With Diamond Cut Edge

Colour : Black | Silver | Gold

₹ 340.00 *Price Incl. MS and Recover Counter Plate



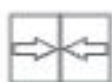
WL - 9

Window Lock Premium

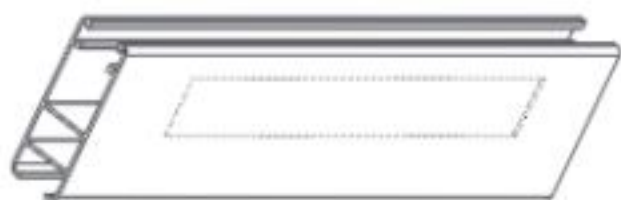
Colour : Black | White | Grey

₹ 230.00 *Price Incl. MS and Recover Counter Plate





Window Lock



WL - 10

Window Lock
Colour : Black | White

₹ 230.00 *Price Incl. Mtl. and Receiver Counter Plate



WL - 11

Window Lock Both Side (One Side Key/ One Side Plate)
Colour : Black | White

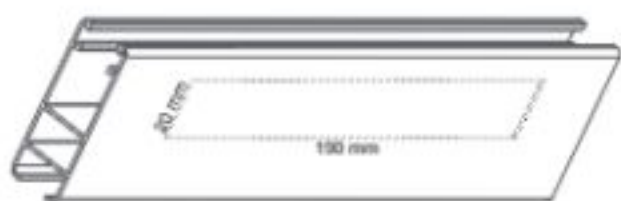
₹ 600.00 *Price Incl. Mtl. and Receiver Counter Plate



WL - 12

Window Lock Multipoint With U Fork
Colour : Black | White

₹ 230.00 *Price Incl. Mtl. and Receiver Counter Plate



WL - 13

Window Lock Fully Aluminium Extrusion
Colour : Black | Silver | Grey *Available*

Automatic ₹ 196.00 *Price Incl. Mtl. and Receiver Counter Plate

Manual ₹ 210.00 *Price Incl. Mtl. and Receiver Counter Plate



WL - 14

Window Lock Multipoint With U Fork
Colour : Black | White

₹ 230.00 *Price Incl. Mtl. and Receiver Counter Plate



Window Lock Accessories



Lock Nib
₹21.00



Nib
₹21.00



Receiver Counter Plate SS
₹17.00



Receiver Diecast
Colour : Black | White
₹26.00



Receiver Diecast Box Type
Colour : Black | White
₹30.00



Duck Hook
₹35.00



Lock Keep
₹36.25



Lock Keep For Manual
₹36.25

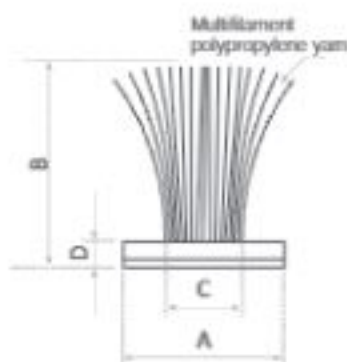


Woolpile



WOOLPILE

Woolpile



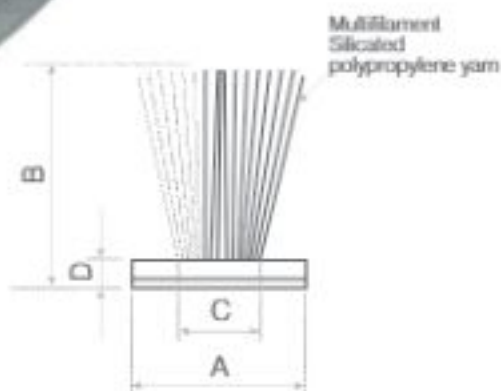
Soft Non Silicated Multifilament pile yarn on a woven reinforced transparent backing coating for all common economy sealing applications.

Technical Specification & Available Sizes

A	B	Roll Size	Rate (₹/mtr)
6.2	4	250	3.15
6.8	5	250	2.4
6.8	6	225	3.6
6.8	7	225	3.9
6.8	8	200	5.00
6.8	9	125	6.00
8.4	9	125	6.00

A X B – 6.8 mm X 6 mm
Color : Grey / Black

Woolpile Silicated



This pile with its silicon base, our weather-strip pushes water and keeps outside and isolates. It provides Air, Noise sealing and air trapping. It has been designed for unique applications that requires solid performance without use of a fin.

Technical Specification & Available Sizes

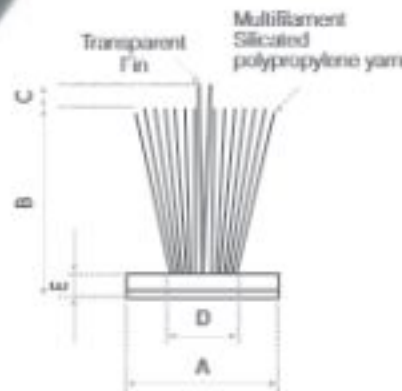
A	B	Roll Size	Rate (₹/mtr)
4	4	400	8.50
6.8	5	250	6.15
4.8	5	250	6.15
6	6	200	7.00
4.8	6	200	7.00
6.8	6	200	7.00
6.8	7	175	7.50
6.8	8	150	8.00
6.8	9	150	8.75
4.8	10	125	10.80
6	10	125	10.80
6.8	10	125	10.80
6.8	12	100	24.00
6.8	15	100	34.00

A X B – 6.8 mm X 6 mm
Color : Grey



WOOLPILE

Woolpile With PVC Fin



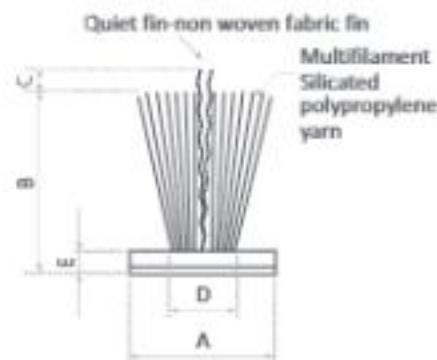
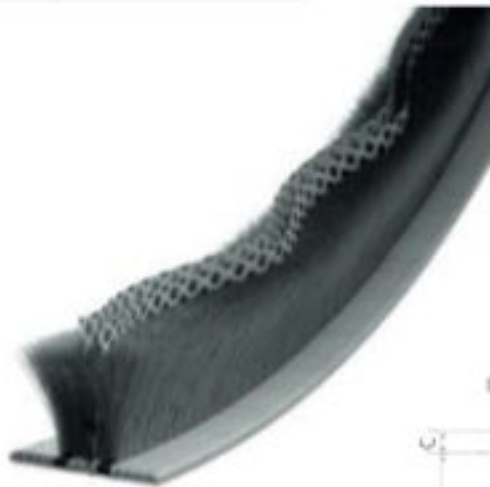
"TRANSPARENT FIN" have the structural integrity and consistency which assures a tight seal and barrier against air and water infiltration. It provides an excellent seal with low opening force and low friction. Solid backing inserts more easily, saving time and reducing waste. These "TRANSPARENT FIN" strategically locates barrier to reduce air and water infiltration.

Technical Specification & Available Sizes

A	B	C	Roll Size	Rate (₹/mtr)
6.8	5	5.5	225	9.00
4.8	6	6	250	9.60
6	6	6	250	9.60
6.8	6	6.5	175	9.60
6.8	7	7.5	150	10.50
6.8	8	8.5	250	11.50
4.8	8	10	100	13.25
4.8	10	10	100	17.50
6	10	10	100	17.50
6.8	12	12	100	30.00
12.6	7	7.5	125	25.00

A X B X C – 6.8 mm X 6 mm x 6.5 mm
Color : Grey

Woolpile With Fabric Fin



"QUIET FIN" reduces noise levels insides structure by reducing contact between shutter and frame during windy conditions. It eliminates dirt and debris that gets behind shutters when in closed position. It aggressively sealsout wind and wind-driven rain and assures a tight seal against air infiltration.

Technical Specification & Available Sizes

A	B	C	Roll Size	Rate (₹/mtr)
6.8	5.5	7	350	11.50
6.8	6.5	8	300	12.00
6.8	7.5	9	250	13.00

A X B – 6.8 mm X 5.5 mm X 7 mm
Color : Grey

WOOLPILE

Woolpile 2 FIN EXTRUDED



Our Exclusive Product 2-Fin with two non-woven fin comes with an extruded base allows for improved vertical fin stabilization and sealer, which assures a tight seal and barrier against air and water infiltration. It also allows for quieter and smoother operation when seal rubs across surfaces.

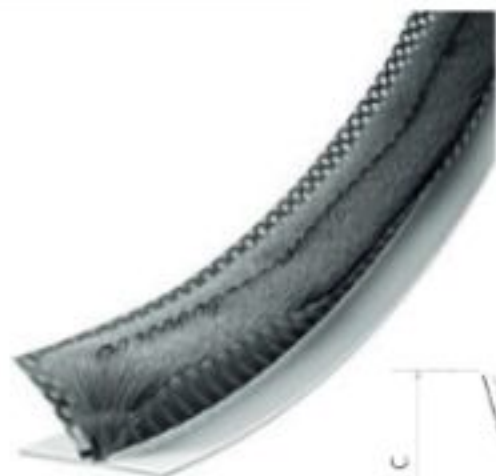


Technical Specification & Available Sizes

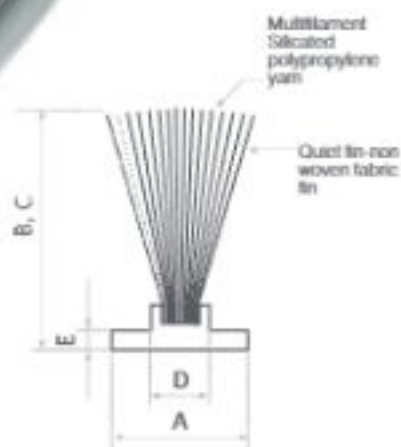
A	B	C	Roll Size	Rate (₹/mtr)
6.8	6	6	250	24.00
6.8	7	7	250	25.00

A X B X C – 6.8 mm X 6 mm x 6 mm
Color : Grey

Woolpile 3 FIN EXTRUDED



Our Exclusive Product 3-Fin with Three non-woven fin comes with an extruded base allows for improved vertical fin stabilization and sealer, which assures a tight seal and barrier against air and water infiltration. It also allows for quieter and smoother operation when seal rubs across surfaces.



Technical Specification & Available Sizes

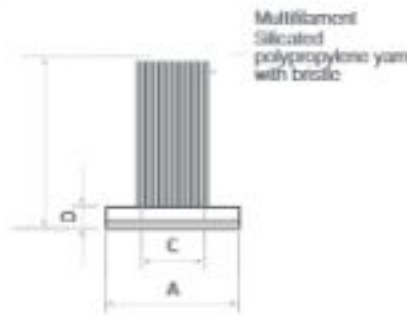
A	B	C	Roll Size	Rate (₹/mtr)
6.8	6	6	250	30.00
6.8	7	7	250	31.00

A X B X C – 6.8 mm X 6 mm x 6 mm
Color : Grey



WOOLPILE

Woolpile With Bristle



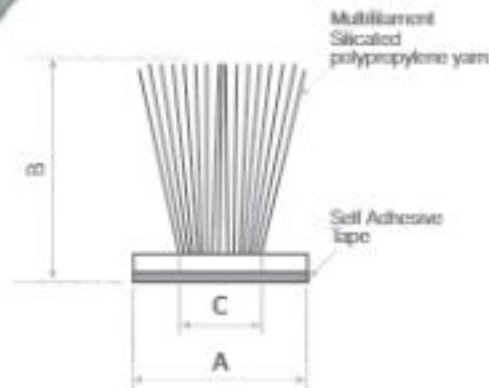
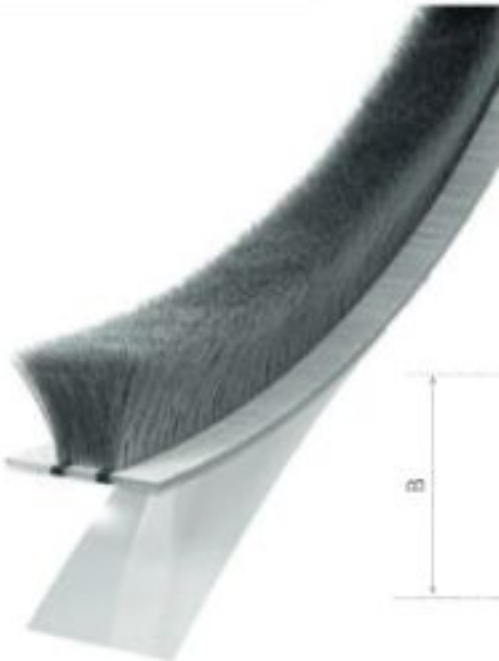
This seal comes with bristle in the middle and has high resilience. The seal is dust proof, clean and an insect proof. It comes with UV protection and compression set resistance. It provides with maximum locking capability.

Technical Specification & Available Sizes

A	B	Roll Size	Rate (₹/mtr)
4.8	7	350	11.00
4.8	8	300	11.50
4.8	9	250	12.75
4.8	10	250	14.50
4.8	12	200	16.50

A X B – 4.8 mm X 7 mm
Color : Black

Woolpile With Self Adhesive



Technical Specification & Available Sizes

A	B	Roll Size	Rate (₹/mtr)
6.8	9	150	35.00
9	5	125	35.00

This seal is designed with an additional locking power. It is made to measure weather strip with hot melt adhesive and it is easy and quick to apply. It also provides the high adhesive slickness and assures dust-proof, insect-proof and wind-proof.

A X B – 6.8 mm X 9 mm
Color : Grey



Scan To Assembly Video

**SLIDING
MULTIPOINT
LOCK**



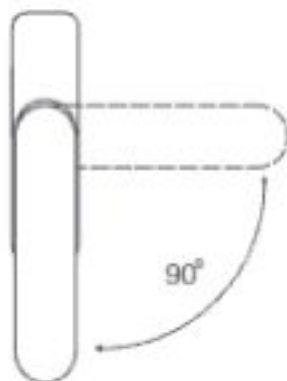
Sliding Multipoint Lock

SML - 1

Sliding Multipoint Handle

Colour : Black | White

₹ 200.00

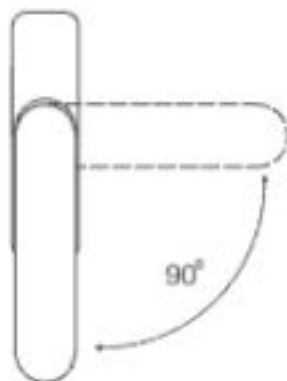


SML - 1A

Sliding Multipoint Handle

Colour : Black | White

₹ 325.00

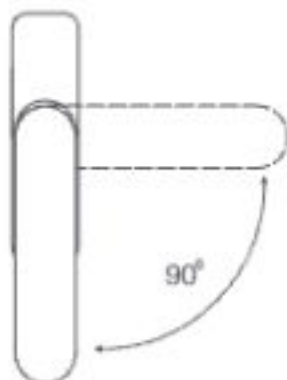


SML - 1B

Sliding Multipoint Handle

Colour : Black | White

₹ 225.00

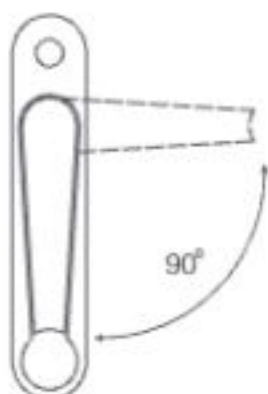


SML - 2

Sliding Multipoint Pop up Handle

Colour : Black | White

₹ 250.00

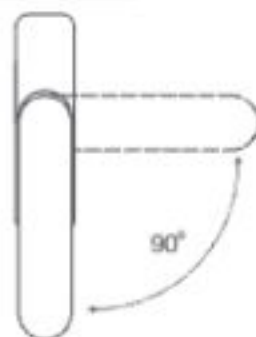


Sliding Multipoint Lock



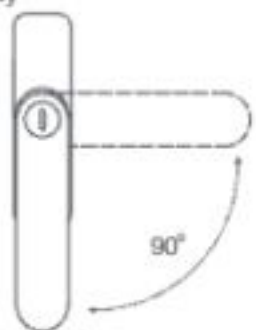
SML - 3

Sliding Multipoint Handle
Short Neck 38mm
Colour : Black | White
₹ 200.00



SML - 4

Sliding Multipoint Handle With Key
Colour : Black | White
₹ 400.00



SML - 7

One Side Plain One Side Key ₹ 600.00

SML - 8

One Side Plain One Side Knob ₹ 600.00

SML - 9

One Side Key One Side Knob ₹ 800.00

SML - 9A

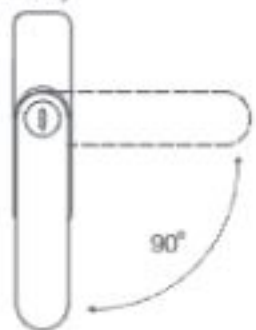
Both Side Key ₹ 800.00

Colour : Black | White



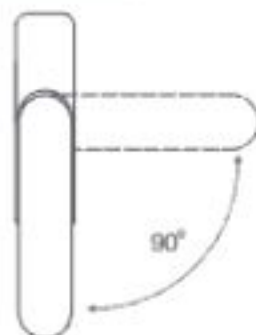
SML - 10K

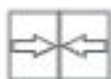
Sliding Multipoint Turn Handle With Key
Colour : Black | White
Turn : Left | Right
₹ 500.00



SML - 10

Sliding Multipoint Turn Handle
Colour : Black | White
Turn : Left | Right
₹ 350.00





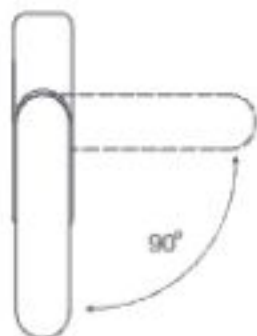
Sliding Multipoint Lock

SML - 11

Sliding Multipoint Sword Handle
Short Neck 16mm for Mesh Shutter

Colour : Black | White

₹ 425.00

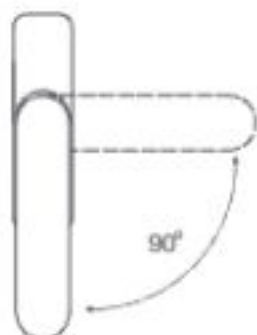


SML - 11A

Sliding Multipoint Minimal Handle

Colour : Black | White

₹ 425.00

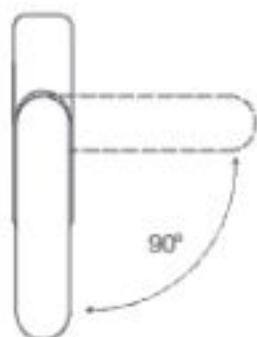


SML - 12

Sliding Multipoint Premium Handle

Colour : Black | White | Grey | Gold

₹ 700.00

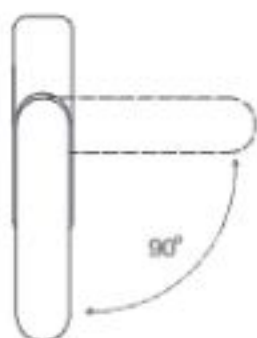


SML - 13

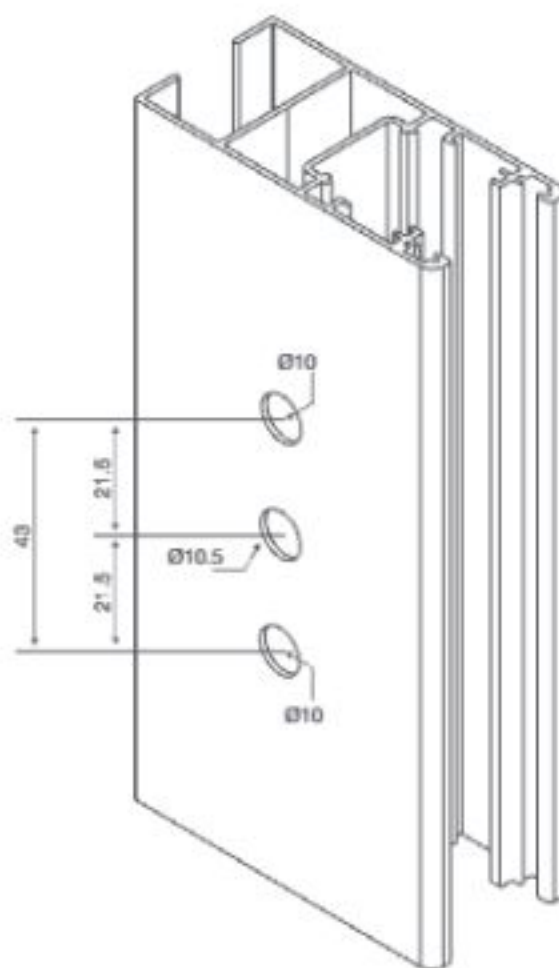
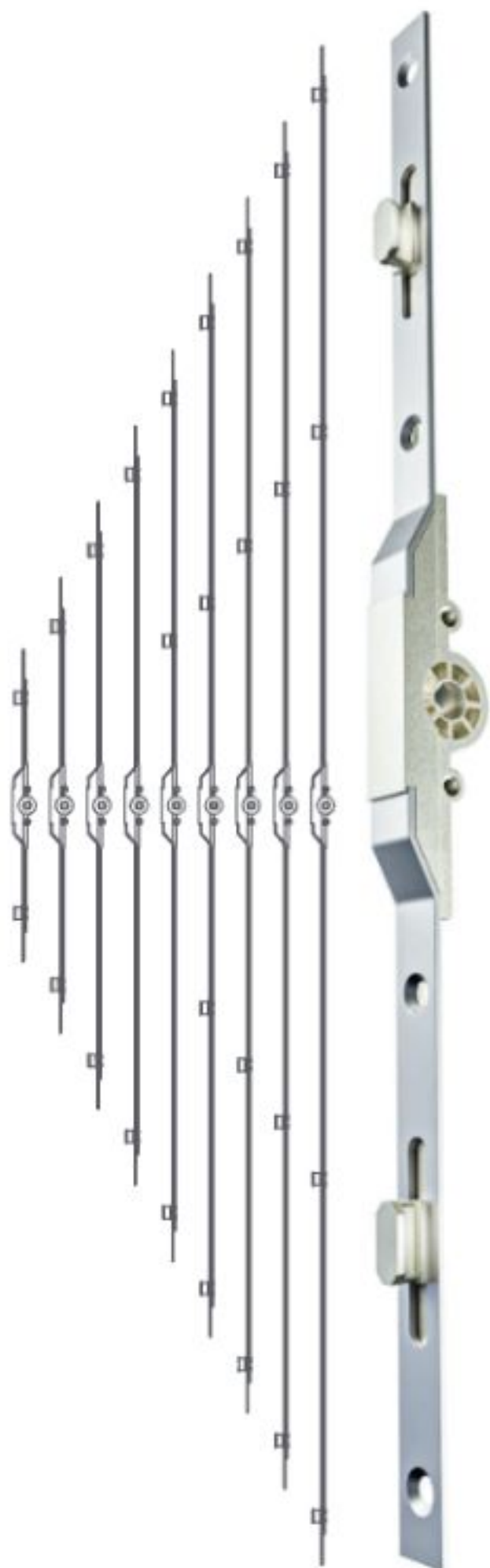
Sliding Multipoint Minimal Knob Handle

Colour : Black | White

₹ 650.00



Sliding Multipoint Lock



Espag Sliding 7.5 BS

Material : Carbon Steel

Finish : Zinc Plated

Size	Locking Point	Rate(₹)
400mm	2	250.00
600mm	2	275.00
800mm	2	300.00
1000mm	2	320.00
1200mm	3	360.00
1400mm	4	400.00
1600mm	4	425.00
1800mm	4	470.00
2000mm	4	600.00

*Price Including espag Guide Adaptor,
SS Keep & Keep Cover For V Track



Sliding Multipoint Lock Accessories and Bump Stopper



Bump Stopper
Black | White
₹ 30.00



Bump Stopper Oppo
Colour : Black | White
₹ 30.00



Bump Stopper Premium
Colour : Black | White
₹ 45.00



Bump Stopper Premium Pro
Colour : Black | White
₹ 50.00



Keep Sliding
Carbon Steel ₹ 15.00
Stainless Steel ₹ 30.00



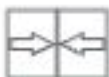
Keep Cover For V Track
₹ 5.00



Espag Guide Adapter
₹ 7.00

Sliding Multipoint Lock EURO





Sliding Multipoint Lock EURO



Mono Handle

Size : 270 mm
Colour : Black | White
₹ 1225.00

Mono Dummy Handle

Colour : Black | White
₹ 900.00

Mono Handle With Key

Colour : Black | White
₹ 1500.00



Hyperloop Handle

Size : 270 mm
Colour : Black | White
₹ 1225.00



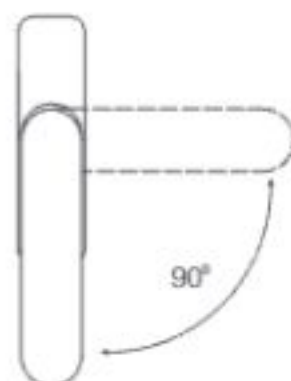
Tram Handle

Size : 150 mm
Colour : Black | White
₹ 900.00

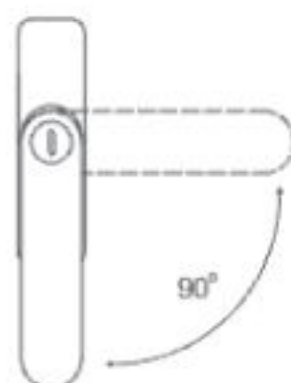
Sliding Multipoint Lock EURO



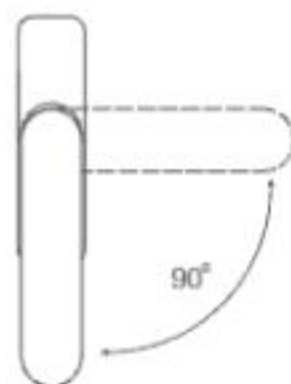
SML - 5
Sliding Multipoint Cremone Handle
Colour : Black | White
₹ 465.00



SML - 5A
Sliding Multipoint Cremone Handle With Key
Colour : Black | White
₹ 700.00



SML - 6
Sliding Multipoint Cremone Handle Mini
Colour : Black | White
₹ 390.00

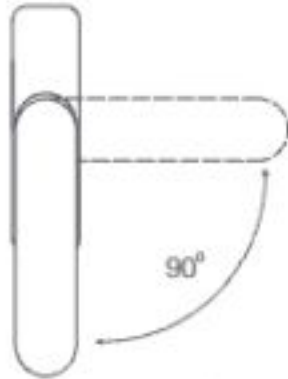




Sliding Multipoint Lock EURO

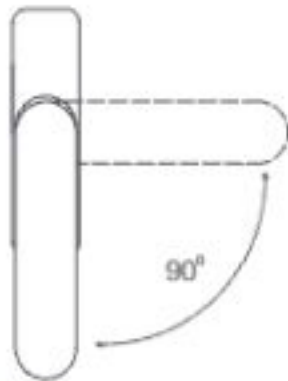
SML - 6A

Sliding Multipoint Premium Handle
Colour : Black | White | Grey | Gold
₹ 700.00



SML - 10A

Sliding Multipoint Turn Handle
Colour : Black | White
Turn : Left | Right
₹ 375.00



Bullet Handle

Size : 270 mm
Colour : Black | White | Grey | Gold | Brown
₹ 1225.00

Sliding Multipoint Lock EURO Accessories



Center Connector Sliding
₹ 20.00



Nib Holder With Nib
₹ 123.00



Receiver Die Cast Box Type
Colour : Black | White
₹ 30.00



Lock Keep
₹ 36.25



Key Hole Receiver
After Assembly Receiver
₹ 65.00



Key Hole Receiver with Grub
Pre Assembly Receiver
₹ 70.00



Multi Lock Holder Sliding
₹ 90.00



Center Connector Diecast
₹ 100.00



Sliding Multipoint Lock EURO Accessories And Aluminium Transmission Sliding



Multipoint Receiver Sliding
₹ 65.00



Lock Key Manual
₹ 36.25



Lock Keep Duck
₹ 35.25



Center Connector T-type
₹ 30.00

Aluminium Transmission Sliding



Size	Locking Point	Rate()
400mm	2	200.00
600mm	2	225.00
800mm	2	255.00
1000mm	2	285.00
1200mm	2	315.00
1400mm	4	400.00
1600mm	4	450.00

*Price Including Multipoint Receiver Or
Key Hole Receiver

Polyamide & Aluminium Rod

Polyamide Rod
PA 66, 15-20 Euro
₹ 58.00 per Mtr.



Aluminium Rod For Multipoint A/B/C
A-Aluminium 15-20 Euro | B-40mm | C-52mm
₹ 160.00 per Mtr.



Track Rail & Security Mesh



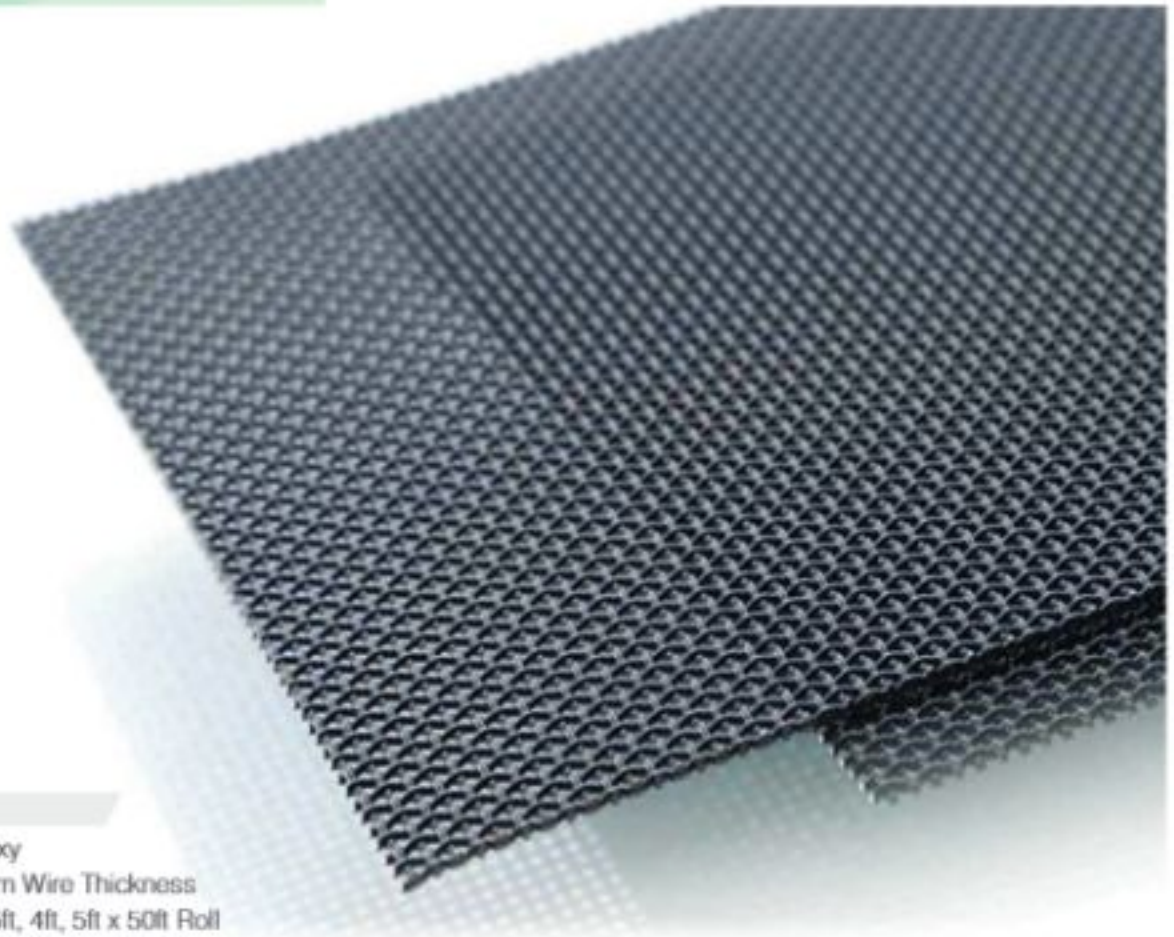
SS Rail Adaptor

Material : Aluminium
₹ 145.00 per Mtr.



SS Track Rail

Material : Stainless Steel
Size : 5 x 11 | 5 x 13 | 5 x 14
₹ 155.00 per Mtr.



Security Mesh

SS 304 Black Epoxy
12x12 Mesh 0.7mm Wire Thickness
Size : 2.5ft, 3ft, 3.5ft, 4ft, 5ft x 50ft Roll
Customized Cutting Size also Available
₹ 250.00 per Sq.ft.



Aluminium Wire Mesh

14 x 14 Mesh 0.36 mm Wire Thickness

SS Finish ₹ 18.00 Per Sq.ft.

Black Finish ₹ 21.00 Per Sq.ft.

Roll Size :

2ft, 2.5ft, 3ft, 3.5ft, 3.75ft, 4ft, 5ft, 6ft x 100 ft



Stainless Steel Wire Mesh 304

15 x 15 Mesh 0.25 mm Wire Thickness (30 gauge)

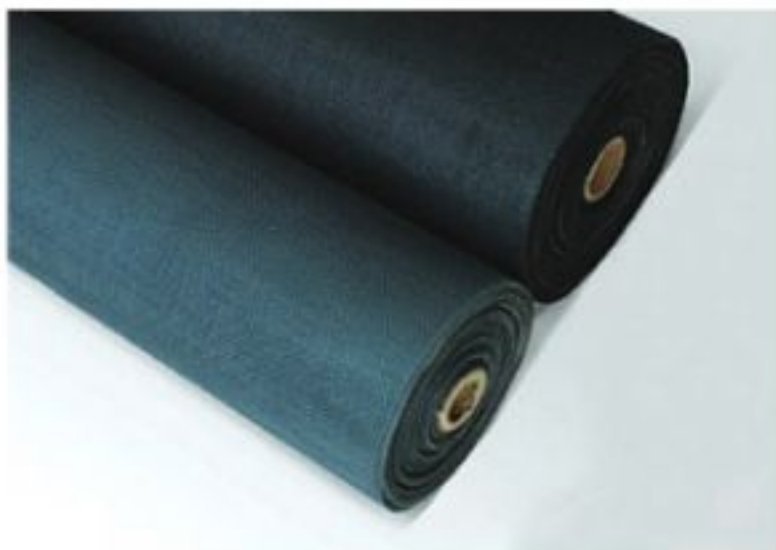
₹ 50.00 Per Sq.ft.

16 x 16 Mesh 0.18 mm Wire Thickness

Black Finish ₹ 34.00 Per Sq.ft.

Roll Size :

3ft, 4ft, 5ft, x 100 ft



Fiberglass Mesh

Colour : Black | Grey

₹ 24.00 Per Sq.ft.

Roll Size :

3ft, 4ft, 5ft, x 100 ft



Casement Window Hardware 40 mm Series



Scan To Assembly Video

CASEMENT WINDOW & DOOR
HARDWARE - 40 MM

Casement Window Hardware 40 mm Series



4001
Butt Hinges
Colour : Black | White
₹ 155.00



4002
Butt Hinges for Door
Colour : Black | White
₹ 250.00



4003
Corner Cleat Diecast
₹ 51.00



4004
Mullion Connector
₹ 36.00



4005
Mullion Connector Diecast
₹ 36.00



4006
Shoot Bolt Manual Colour : Black | White
160mm - ₹ 180.00
220mm - ₹ 210.00
450mm - ₹ 450.00



4007
Shoot Bolt Automatic Colour : Black | White
150 mm - ₹ 265.00
250 mm - ₹ 330.00



4008
Lifting Wedge
₹ 15.00



Caseament Window Hardware 40 mm Series



4009
Flying Mullion end cap
₹ 40 per/set



EPDM Rubber For Frame
ORPL 343
₹ 325 per kg.



EPDM Rubber For Frame
ORPL 4521
₹ 325 per kg.



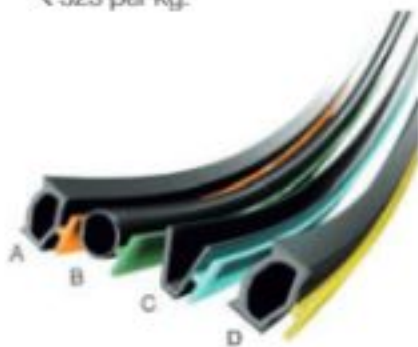
EPDM Press Rubber
ORPL 6010 For 5mm Glass
₹ 325 per kg.



EPDM Rubber Fix
ORPL 492
ORPL 4034
₹ 325 per kg.



EPDM Rubber For Frame
ORPL 5406 Half Bulb
₹ 325 per kg.



TPE Bulb Series
Co Extruded
Base Size 4.2mm | 4.8 mm
₹ 17.00 per Mtr.

- Suitable Handle Locking System
- Single Point Handle (Page No. 86)
H4 / H5 / H6
 - Casement Multipoint Lock
CML1 / 1A / 2 / 3 / 4 (Page No. 87)
With Aluminium Transmission

CASEMENT WINDOW & DOOR HARDWARE - 50 MM



Scan To Assembly Video



Casement Window Hardware 50 mm Series



5001

Butt Hinges

Colour : Black | White

₹ 155.00



5002

Butt Hinges For Door

Colour : Black | White

₹ 250.00



5003

Butt Hinges For Heavy Door

Colour : Black | White

₹ 700.00



5004

Mullion Connector

₹ 36.00



5005

Shoot Bolt Manual

Colour : Black | White

160mm - ₹ 180.00

220mm - ₹ 210.00

450mm - ₹ 450.00



5006

Shoot Bolt Automatic

Colour : Black | White

150 mm - ₹ 265.00

250 mm - ₹ 330.00

Casement Window Hardware 50 mm Series



5007
Corner Cleat Shutter
₹ 65.00



5008
Corner Cleat Frame
₹ 58.00



5009
Corner Cleat Diecast Frame
₹ 58.00



5010
Corner Cleat Door Shutter 1010
₹ 195.00



5011
Corner Cleat Door Frame
₹ 98.00



5012
Corner Cleat Door Shutter
₹ 90.00



Casement Window Hardware 50 mm Series



5013

Lifting Wedge
₹ 30.00



EPDM Rubber Fix

ORPL 492
₹ 325.00 Per Kg.



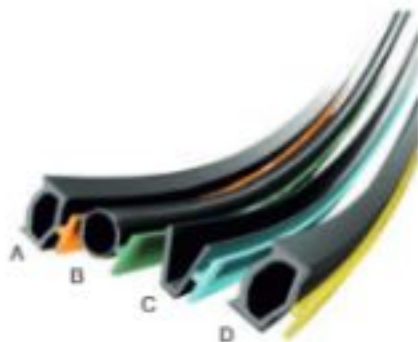
EPDM Rubber Frame

ORPL 5406 Half Bulb
ORPL 343
₹ 325.00 Per Kg.



EPDM Press Rubber

ORPL 6010
₹ 325.00 Per Kg.



TPE Bulb Series

Co Extruded
Base Size 4.2mm | 4.8mm | 5.4mm | 5.8mm
₹ 17.00 per Mtr.

Suitable Handle Locking System

- Single Point Handle (Page No. 86)
H4 / H5 / H6
- Casement Multipoint Lock (Page No. 87)
CML1 / 1A / 2 / 3 / 4
With Aluminium Transmission, Polyamide
and Aluminium Rod For Multipoint
- Tilt & Turn Window Hardware Set (Page No. 99)

CASEMENT WINDOW & DOOR HARDWARE - 52 & 45MM



Scan To Assembly Video



Casement Window Hardware 52 & 45mm Series



5201

Butt Hinges

Colour : Black | White

₹ 155.00



5202

Butt Hinges For Door

Colour : Black | White

₹ 250.00



5203

Corner Cleat Solid

₹ 51.00



5204

Corner Cleat Diecast

₹ 58.00



5205

Shoot Bolt Manual

Colour : Black | White

160mm - ₹ 180.00

220mm - ₹ 210.00

450mm - ₹ 450.00



5206

Shoot Bolt Automatic

Colour : Black | White

150 mm - ₹ 265.00

250 mm - ₹ 330.00

Caseament Window Hardware 52 & 45mm Series



5207
Mullion Connector
₹ 36.00



5208
Lifting Wedge
₹ 30.00



EPDM Rubber For Frame
ORPL 343
₹ 325 per kg.



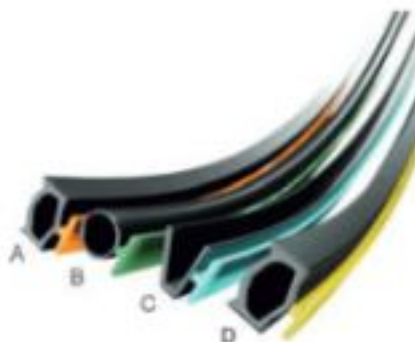
EPDM Rubber For Frame
ORPL 5406 Half Bulb
₹ 325 per kg.



EPDM Rubber Fix
ORPL 492
₹ 325 per kg.



EPDM Press Rubber
ORPL 6010 For 5mm Glass
₹ 325 per kg.



TPE Bulb Seal
Co Extruded
Base Size 4.2mm | 4.8 mm
₹ 17.00 per Mtr.

Suitable Handle Locking System

- Single Point Handle (Page No. 86)
H4 / H5 / H6
- Casement Multipoint Lock
CML1 / 1A / 2 / 3 / 4 (Page No. 87)
With Aluminium Transmission



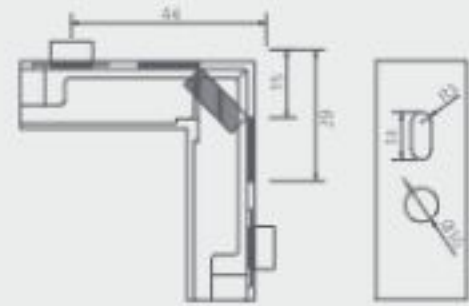
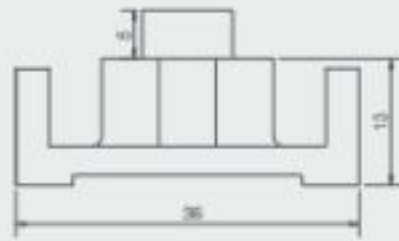
CORNER CLEAT

Product code

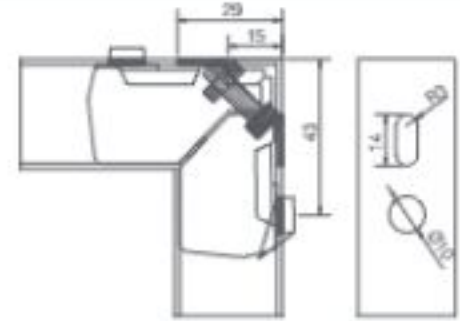
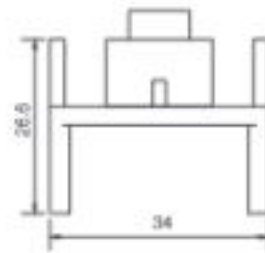
Product Dimensions

Punching Dimensions

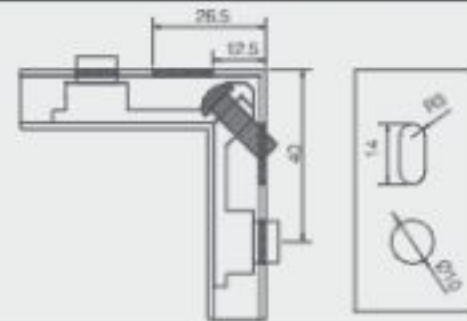
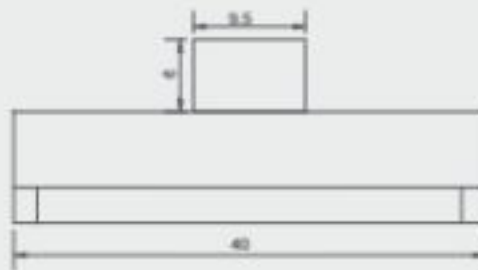
4003



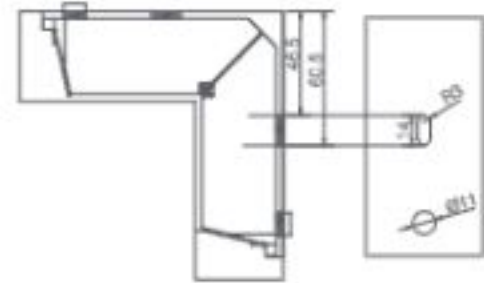
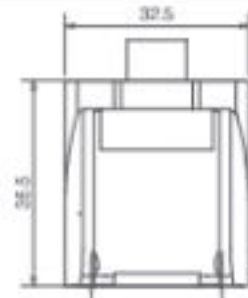
5007



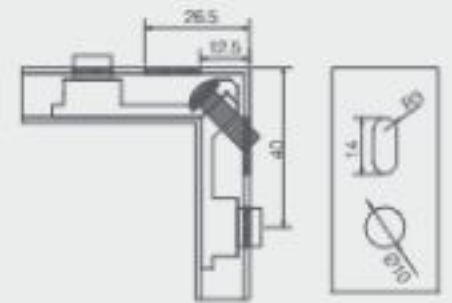
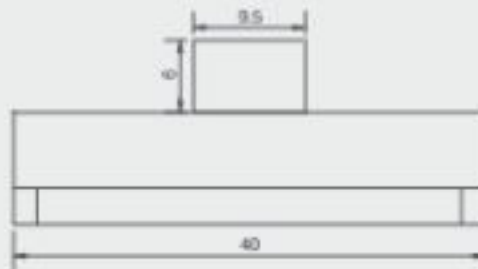
5008



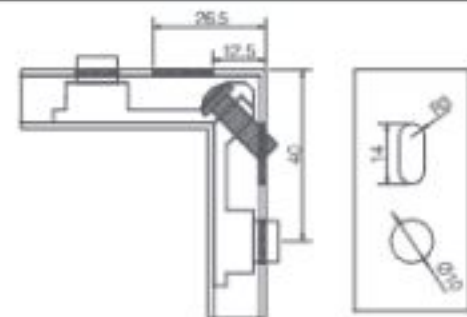
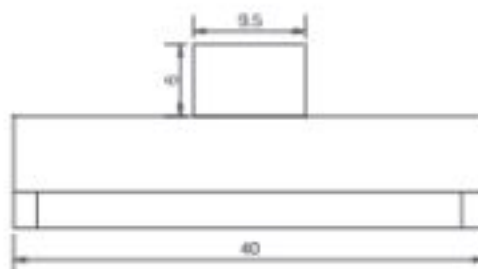
5204



5203



5204



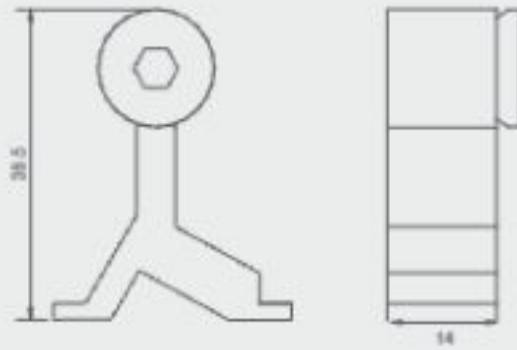


CORNER CLEAT

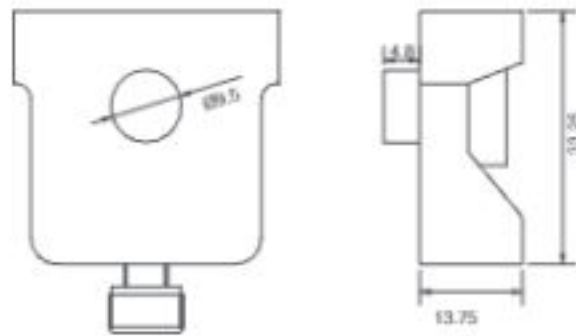
Product code

Product Dimensions

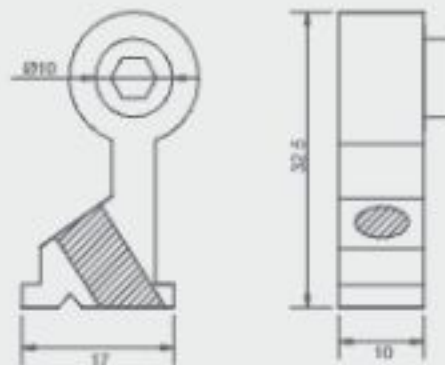
4004



4005



5004





Friction Stay



FS1

Friction Stay (SS201, 304)

Size (Inch)	Max Height	Max Width	Max Weight	Thickness	Arms	Opening (Degrees)	Stake Height	Arms Width	SS201 (₹)	SS304 (₹)
8"	800	400	12kg	2	4	65°	13.5	18	200.00	275.00
10"	1000	500	14kg	2	4	88°	13.5	18	220.00	325.00
12"	1100	600	16kg	2	4	88°	13.5	18	260.00	400.00
14"	1200	600	18kg	2	4	88°	13.5	18	325.00	500.00
16"	1300	650	22kg	2.5	4	88°	14.8	18	550.00	725.00
18"	1400	700	24kg	3	4	88°	16.8	18	700.00	1025.00
20"	1500	700	26kg	3	5	65°	16.8	21	800.00	1250.00
24"	1650	800	30kg	3	6	55°	16.8	21	1000.00	1525.00
28"			85kg	3	7	30°	20	21	1350.00	
30"			100kg	3	7	30°	20	21	1525.00	
36"			120kg	3	7	30°	20	21	2400.00	

*All sizes are in (mm)

Friction Stay and Stay Arms

FS1 EURO GROOVE

Friction Stay (SS202, 304)

Size	Max Height	Max Width	Max Weight	Thickness	Arms	Opening	Stake Height	Arms Width	SS202 (₹)	SS304 (₹)
10"	1000	500	12kg	2.5mm	4	88°	15.8	13.5	250.00	350.00
12"	1100	600	15kg	2.5mm	4	88°	15.8	13.5	275.00	400.00
14"	1200	600	20kg	2.5mm	4	88°	15.8	13.5	325.00	500.00
16"	1300	650	23kg	2.5mm	4	88°	15.8	13.5	400.00	725.00

*All Size are in (mm)

FS1 Heavy Duty

Friction Stay (SS304)

Size	Max Height	Max Width	Max Weight	Thickness	Arms	Opening	Stake Height	Arms Width	SS304 (₹)
16"	1500	900	38kg	3mm	4	88°	17	21	1400.00
20"	1500	1000	42kg	3mm	4	88°	17	21	1900.00
24"	1500	1200	48kg	3mm	4	88°	17	21	2600.00

*All Size are in (mm)

FS2

Wind Break Stay Arms (SS202, 304)



Size	Stake Height	Arms Width	SS202 (₹)	SS304 (₹)
10"	16	13.5	180.00	275.00
12"	16	13.5	200.00	325.00

*All Size are in (mm)



Single Point Handle

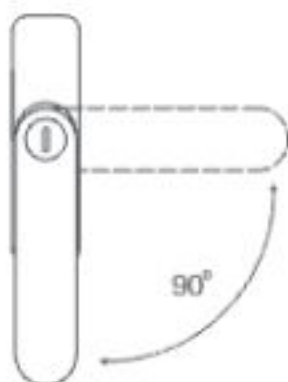
H4

Single Point Handle With Key

Colour : Black | White

Turn : Left | Right

₹ 425.00



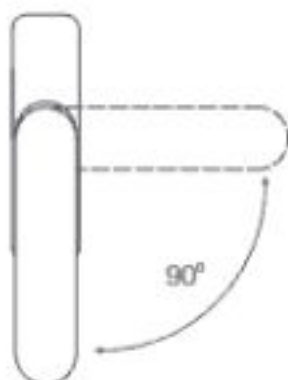
H5

Single Point Handle

Colour : Black | White

Turn : Left | Right

₹ 160.00



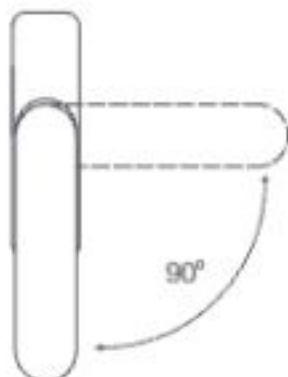
H6

Single Point Handle

Colour : Black | White

Turn : Left | Right

₹ 250.00



CASEMENT MULTIPOINT LOCK



Scan To Assembly Video



Casement Multipoint Lock

CML 1

Casement Detachable Handle Base

Colour : Black | White

₹ 650.00

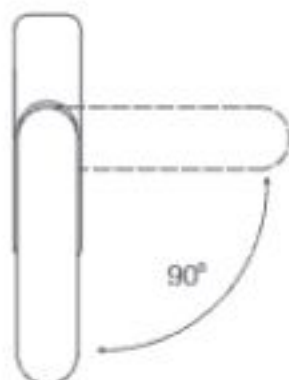


CML 1A

Casement Detachable Handle Allen Key

Colour : Black | White

₹ 250.00

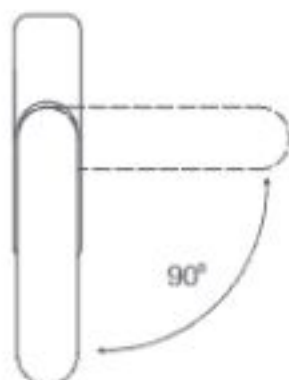


CML 2

Casement Multipoint Handle Mini

Colour : Black | White

₹ 390.00





Casement Multipoint Lock

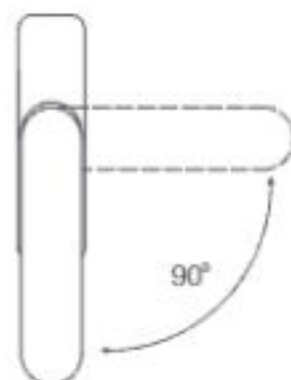


CML 3

Casement Multipoint Creamon Handle

Colour : Black | White

₹ 465.00

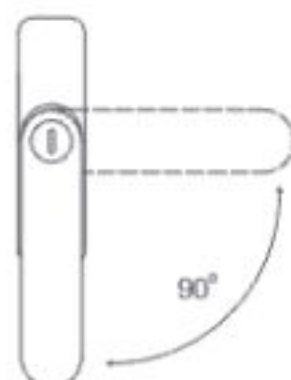


CML 4

Casement Multipoint Creamon Handle With Key

Colour : Black | White

₹ 700.00

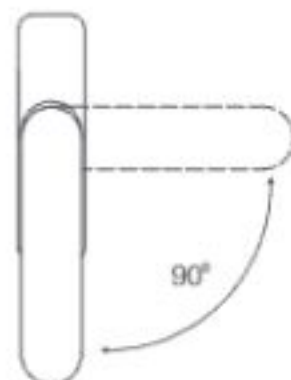


CML 5

Casement Multipoint Premium Handle

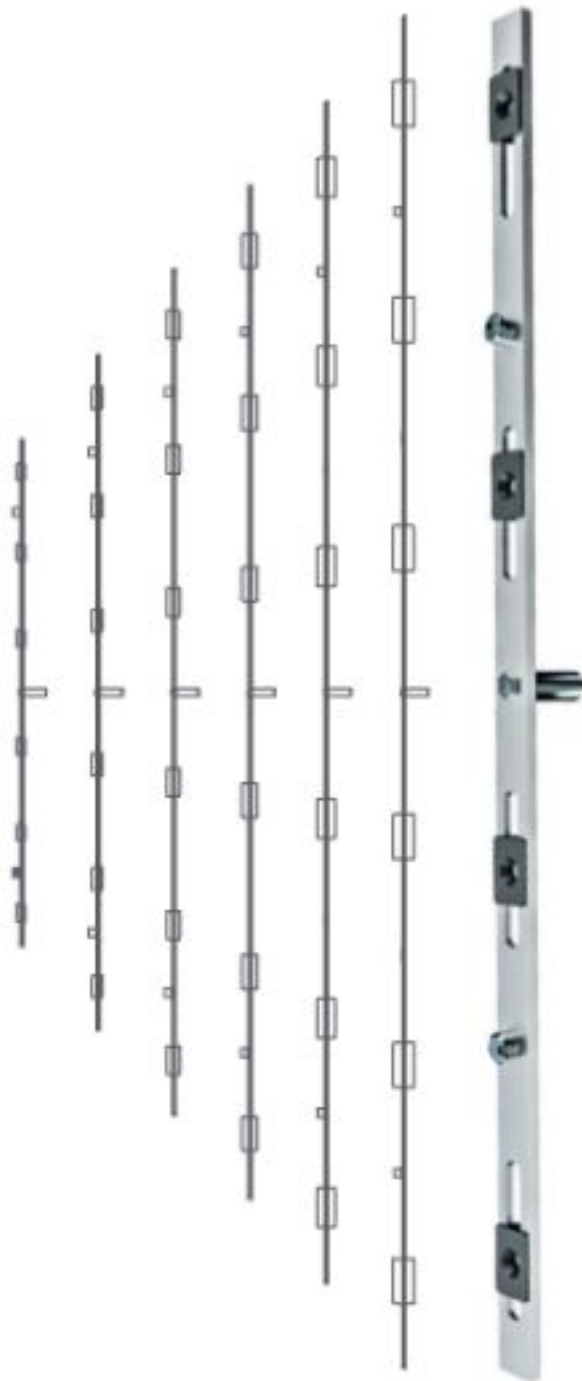
Colour : Black | White

₹ 700.00





Casement Multipoint Lock Accessories and Aluminium Transmission



Aluminium Transmission Rod

- 400mm - ₹ 160.00
- 600mm - ₹ 185.00
- 800mm - ₹ 210.00
- 1000mm - ₹ 245.00
- 1200mm - ₹ 265.00

*Price including Keep



Pawl

₹ 39.00



Center Connector Diecast

₹ 100.00



Center Connector T-type

₹ 30.00



Keep Frame

₹ 42.00



Keep

₹ 36.00



Casement Two Point Lock

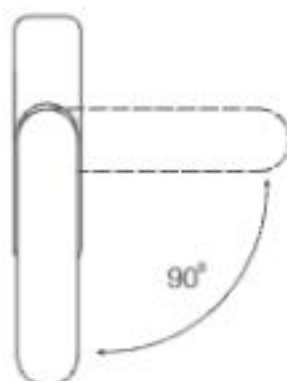


CTP1

Casement Twopoint Lock

Colour : Black | White

₹ 465.00

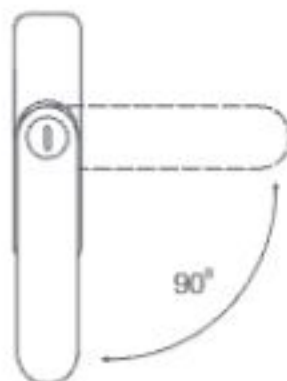


CTP 1A

Casement Two Point Handle With Key

Colour : Black | White

₹ 700.00





Casement Two Point Lock



CTP 3
Two Point Tower Bolt
₹ 170.00 Per Set



Aluminium Rod Euro
₹ 160.00 per Mtr.



Center Connector 9
Size : 45mm | 52mm
₹ 15.00



Keeper Nylon
Size : 45mm | 52mm
₹ 15.00



Frame Keeper Euro Series
₹ 42.00



Pawl
Size : 9mm
₹ 39.00



Keeper For Aluminium rod
₹ 36.00



Fork Extension Device
₹ 65.00

Mortice Door Lock Type A



Mortice Door Lock Set

Colour : Black | White

₹ 2300.00

*Price including Handle, Lock Body, Cylinder & Receiver Plate



Lock Body A/B/C

Size : 8520A For 40mm Door

8525B For 45mm Door

8530C For 50mm & 52mm Door Single point Locking

*(Select Any One)

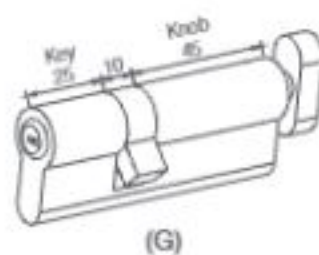


Cylinder With Key

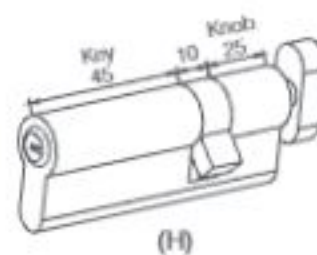
NO.	Particulars *(Select Any One)	Suitable Door
A	60mm Both Side Key	40mm
B	60mm One Side Knob One Side Key	40mm
C	70mm Both Side Key	45mm
D	70mm One Side Knob One Side Key	45mm
E	80mm Both Side Key	52mm
F	One Side Key One Side Knob	52mm
G	One Side Key One Side Knob 80mm Off Center Outside Opening	50mm
H	80mm One Side Key One Side Knob 80mm Off Center Inside Opening	50mm
I	80mm Off Center Both Side Key	50mm

Receiver Plate

50mm - Outside Opening



50mm - Inside Opening





Mortice Door Lock Type B



Mortice Door Lock Set

Colour : Black | White

₹ 2400.00

*Price including Handle, Lock Body, Cylinder & Receiver Plate



Lock Body A/B/C

Size : 8520A For 40mm Door

8525B For 45mm Door

8530C For 50mm & 52mm Door Single point Locking

*(Select Any One)



Cylinder With Key

NO.	Particulars *(Select Any One)	Suitable Door
A	60mm Both Side Key	40mm
B	60mm One Side Knob One Side Key	40mm
C	70mm Both Side Key	45mm
D	70mm One Side Knob One Side Key	45mm
E	80mm Both Side Key	52mm
F	One Side Key One Side Knob	52mm
G	One Side Key One Side Knob 80mm Off Center Outside Opening	50mm
H	80mm One Side Key One Side Knob 80mm Off Center Inside Opening	50mm
I	80mm Off Center Both Side Key	50mm

Receiver Plate



Mortice Lock Set Multipoint Type A



Mortice Lock Set Multipoint

Colour : Black | White
₹2700.00 / Per Set



Lock Body Multipoint

Size : 8530 / 8535
(Suitable For 50 & 52mm Door Multipoint Locking)

NO.	Particulars	Qty.
1	Handle	1 Set
2	Lock Body	1 Pc
3	Cylinder, Receiver Plate	1 Pc
5	Pawl	2 Pc
	Frame Keeper	2 Pc



Frame Keeper



Pawl

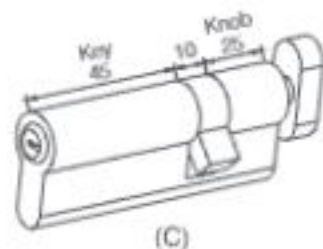


Receiver Plate



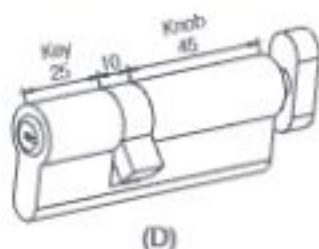
Cylinder With Key

50mm - Inside Opening



(C)

50mm - Outside Opening



(D)

NO.	Particulars *(Select Any One)	Suitable Door
A	80mm Both Side Key	52mm
B	80mm One Side Key One Side Knob	52mm
C	80mm Off Center Inside Opening One Side Key One Side Knob	50mm
D	80mm Off Center Outside Opening One Side Key One Side Knob	50mm
E	80mm Off Center Both Side Key	50mm

Common For Inside & Outside Opening



Mortice Lock Set Multipoint Type B



Mortice Lock Set Multipoint

Colour : Black | White
₹2800.00 / Per Set



Lock Body Multipoint

Size : 8530 / 8535
(Suitable For 50 & 52mm Door Multipoint Locking)

NO.	Particulars	Qty.
1	Handle	1 Set
2	Lock Body	1 Pc
3	Cylinder, Receiver Plate	1 Pc
5	Pawl	2 Pc
	Frame Keeper	2 Pc



Frame Keeper



Pawl

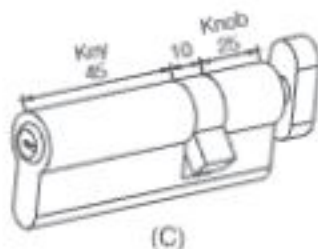


Receiver Plate



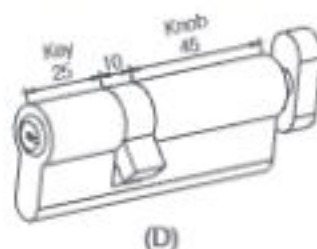
Cylinder With Key

50mm - Inside Opening



(C)

50mm - Outside Opening



(D)

NO.	Particulars *(Select Any One)	Suitable Door
A	80mm Both Side Key	52mm
B	80mm One Side Key One Side Knob	52mm
C	80mm Off Center Inside Opening One Side Key One Side Knob	50mm
D	80mm Off Center Outside Opening One Side Key One Side Knob	50mm
E	80mm Off Center Both Side Key Common For Inside & Outside Opening	50mm



Sliding Folding Door / Bi-Fold Door - 50mm



SDF Mortice Set
Colour : Black
₹ 3400.00



SDF Bottom Roller Hinge
Colour : Black
₹ 1460.00



SDF Top Roller Hinge
Colour : Black
₹ 1700.00



SDF Sword Handle
Colour : Black
₹ 425.00



SDF Center Transmitter
₹ 390.00



SDF Handle Hinge
Colour : Black
₹ 620.00



SDF Aluminium Transmission Rod
₹ 420.00



SDF Side Support Hinge
Colour : Black
₹ 388.00



SDF Shoot Bolt
Colour : Black
₹ 450.00



Scan To Assembly Video

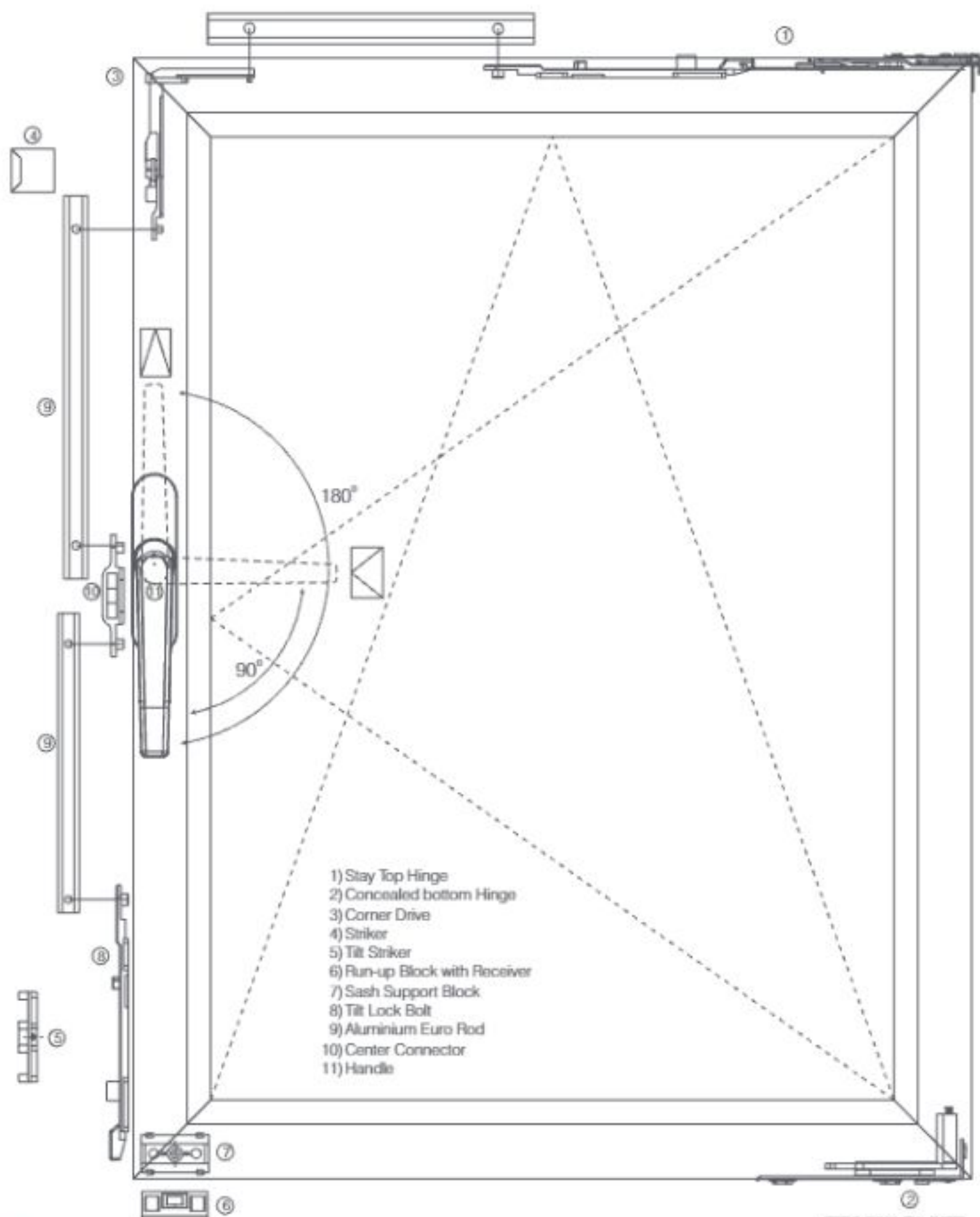
SDF Combination, Typology & Hardware Chart 50mm

No.	Code																		
		1	2	3	4	5	6	7	8	9	10	11	12	13	14	15	16	17	18
1	SDF Mortice Set	0	1	1	1	0	1	0	0	1	0	1	1	0	1	1	1	1	1
		₹0000	₹3400	₹3400	₹3400	₹0000	₹3400	₹0000	₹3400	₹0000	₹3400	₹0000	₹3400	₹2920	₹3400	₹3400	₹3400	₹3400	₹3400
2	SDF Bottom Roller Hinge	1	0	1	1	2	1	2	2	1	2	2	2	2	2	3	3	3	3
		₹1460	₹0000	₹1460	₹1460	₹2920	₹1460	₹2920	₹1460	₹2920	₹1460	₹2920	₹2920	₹2920	₹2920	₹4380	₹4380	₹4380	₹4380
3	SDF Top Roller Hinge	1	0	1	1	2	1	2	2	1	2	2	3	3	2	3	3	3	3
		₹1700	₹0000	₹1700	₹1700	₹3400	₹1700	₹3400	₹1700	₹3400	₹1700	₹3400	₹3400	₹5100	₹5100	₹3400	₹5100	₹5100	₹5100
4	SDF Sword Handle	1	0	1	1	2	1	2	2	1	2	2	3	3	2	3	3	3	3
		₹425	₹0000	₹425	₹425	₹850	₹425	₹850	₹425	₹850	₹425	₹850	₹850	₹1275	₹1275	₹850	₹1275	₹1275	₹1275
5	SDF Center Transmission	1	0	1	1	2	1	2	2	1	2	2	3	3	2	3	3	3	3
		₹390	₹0000	₹390	₹390	₹780	₹390	₹780	₹390	₹780	₹390	₹780	₹780	₹1170	₹1170	₹780	₹1170	₹1170	₹1170
6	SDF Handle Hinge	1	0	1	1	2	1	2	2	1	2	2	3	3	2	3	3	3	3
		₹620	₹0000	₹620	₹620	₹1240	₹620	₹1240	₹620	₹1240	₹620	₹1240	₹1240	₹1860	₹1860	₹1240	₹1860	₹1860	₹1860
7	SDF Side Support Hinge	5	6	6	8	8	9	10	9	8	11	12	11	13	12	12	14	14	14
		₹1940	₹2328	₹2328	₹3104	₹3104	₹3492	₹3880	₹3492	₹3104	₹4268	₹4656	₹4268	₹5044	₹4656	₹4656	₹5432	₹5432	₹5432
8	SDF Snoot Bolt	0	2	0	0	0	2	0	0	2	0	2	0	0	2	0	0	0	0
		₹0000	₹900	₹0000	₹0000	₹0000	₹900	₹0000	₹0000	₹0000	₹900	₹0000	₹0000	₹0000	₹900	₹0000	₹0000	₹0000	₹0000
9	SDF Aluminium Transmission	2	0	2	2	4	2	4	4	4	4	4	6	6	4	6	6	6	6
		₹640	₹0000	₹840	₹840	₹1680	₹840	₹1680	₹840	₹1680	₹840	₹1680	₹1680	₹2520	₹2520	₹1680	₹2520	₹2520	₹2520
TOTAL		₹7376	₹6628	₹11163	₹11939	₹13974	₹13227	₹14750	₹17762	₹17374	₹18538	₹19826	₹20673	₹21349	₹19826	₹24361	₹26137	₹25137	₹25137





Tilt & Turn Window Hardware Set



Tilt & Turn Window Hardware Set

Colour : Black / White

Opening Side : Left / Right

₹ 5100.00



Scan To Assembly Video

EPDM GASKET

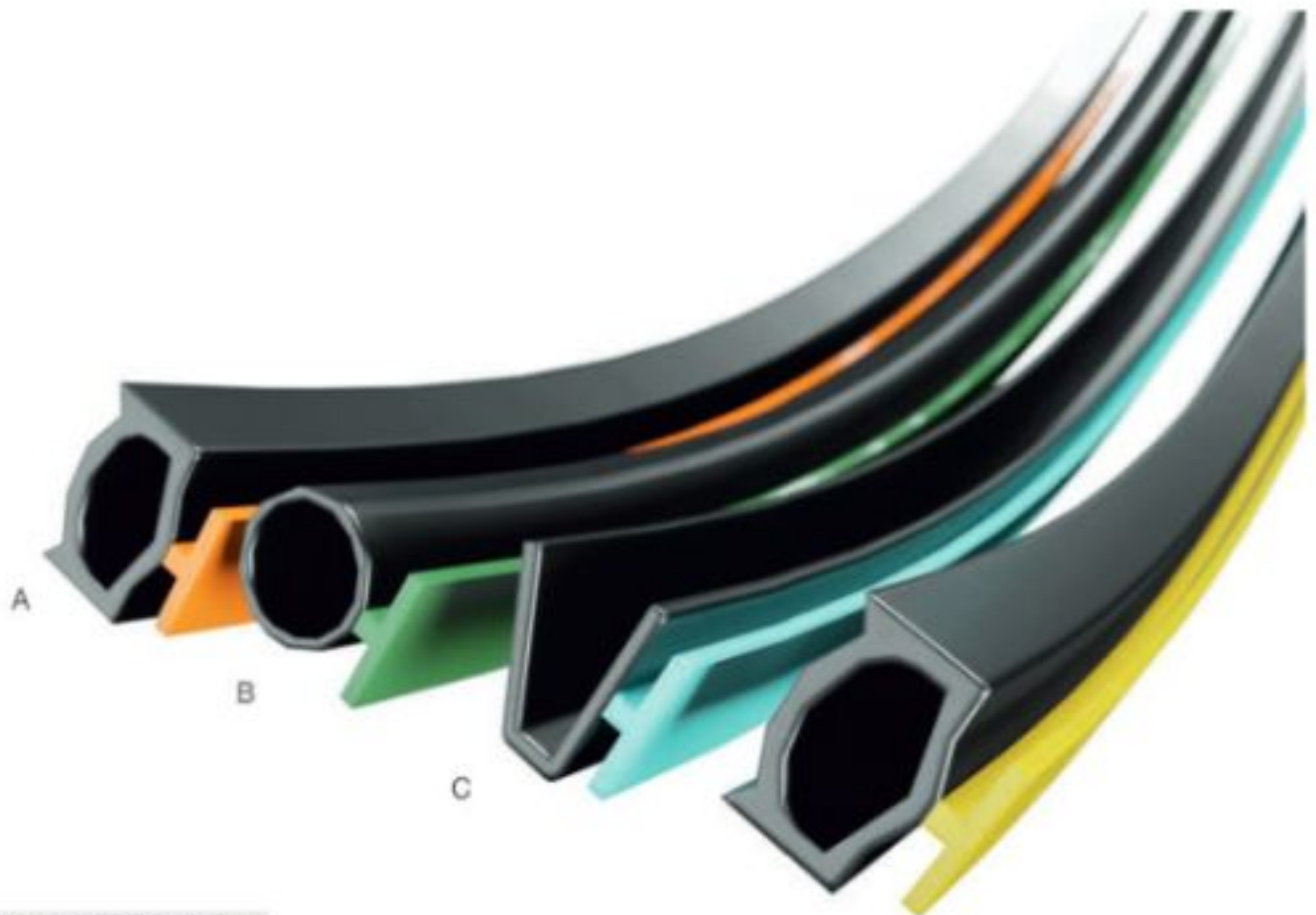


EPDM Gaskets

All Type of EPDM Gaskets

For Sliding Window, Casement Window, Doors & Sliding Folding

₹ 325.00 per Kg.



Co-Extruded TPE Bulb Seal

Base Sizes : 4.2mm | 4.8mm | 5.4mm | 5.8mm

₹ 17.00 Per Mtr.

Packers

PVC Packing Shim

25 x 100 x 1mm	₹ 2.20
25 x 100 x 2mm	₹ 2.55
25 x 100 x 3mm	₹ 2.90
25 x 100 x 4mm	₹ 3.25
25 x 100 x 5mm	₹ 3.75

Glass Packer

15 x 80 x 4mm	₹ 3.25
22 x 80 x 4mm	₹ 3.75
25 x 100 x 4mm	₹ 4.25



Railing Packers

ABS, Nylon Packers
₹ 45.00 per Set



OUR STRENGTH

8 Year
Warranty

Timely
Deliver

Tested
Hardware

Custom Sizes & Small Quantities
Are Our Expertise

Complete Hardware Solution
In One Roof

Reasonable
Price

OEM Manufacturing Facility
For System Supplier





For Profile



For Brochure



Office : 11, Bhagubhai Chamber, 1st Flr, 363, Narshi Natha Street, Katha Bazar, Near Relax Guest House, Masjid (W), Mumbai 400 009. INDIA.

Mfg. Unit : E7-128, Bhumi World Industrial Park, Nasik Highway, Pimpas Village, Opp. Tata Amantra, Bhiwandi, 421302 Thane, Maharashtra, INDIA

Contact : +91-2522-672355 / 75 | Sales : +91-9920075007
Mobile : Mr. Rahul Shah +91-9987299393
Email : mangalam9393@gmail.com
www.mangalamwindowcare.com