



Indo Plast And Rubber Pvt Ltd

STRENGTH IN EVERY SEAL



Excellence In
EPDM, TPE & PVC **EXTRUSION**
Products

ABOUT US

Founded in 2000, INDO PLAST AND RUBBER PRIVATE LIMITED stands at the forefront of manufacturing and supplying advanced Industrial Extrusion Articles for diverse sealing applications. With over two decades of industry expertise, our company is recognized for its unwavering commitment to quality, innovation, and customer satisfaction.

Our facility is equipped with the latest PVC Extrusion line, TPE Co-extrusion line and Rubber extrusion line cured by Microwave rubber vulcanization online system that support continuous production and rigorous quality control at every step. This infrastructure ensures we deliver products that meet global standards for performance and reliability.

We offer an extensive range of EPDM, TPE, and PVC extrusion profiles suitable for a variety of industries—including automotive, packaging, construction, and more. We also produce custom designs tailored to our customer's specifications.

MISSION

Our specialists work closely with clients to develop extrusion profiles that solve unique sealing challenges, optimizing durability, fit, and cost-effectiveness. Each product is designed with a focus on ease of installation, operational resilience, and long service life.

VISION

Indo Plast and Rubber is committed to consistent quality and timely delivery. Every batch is subject to stringent inspections, with traceability and documentation maintained throughout. Our robust supply chain enables us to respond quickly to customer requirements, supporting both small and large volume orders efficiently.

CORE VALUES

Integrity: Honest, transparent, and ethical business practices.

Customer First: Building lasting relationships through trust and satisfaction.

Commitment: Fulfilling every promise with reliability and excellence.

Quality Consistency: Continuous improvement without compromise.

Social Responsibility: Contributing to society through education, healthcare, and environmental care.

WHY INDO PLAST AND RUBBER PVT. LTD.

Trusted Quality: 95% repeat customers built on reliability and excellence.

Competitive Pricing: Value-driven solutions without compromising standards.

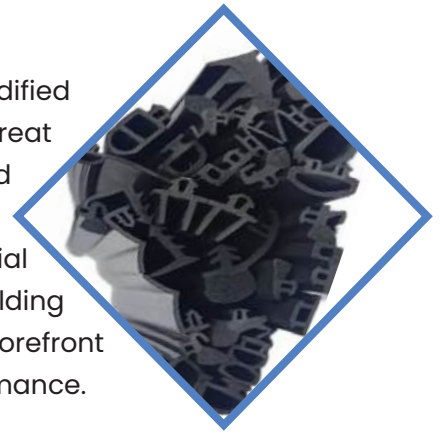
Customer-Centric Service: Smooth, responsive, and transparent processes.

Strong Culture: Teamwork, integrity, and commitment at every level.

“Strength in Every Seal”

EPDM RUBBER PROFILES

Using global standard specifications but the properties can be modified in many ways to enhance specific properties. Our profiles have a great high and low temperature resistance, good deflection recovery and compression set, excellent weather resistance and UV and ozone resistance. Designs seals and gaskets for commercial and residential windows and doors, storefronts, curtain wall systems and other building applications. Our engineered glazing seals, curtain wall systems, storefront gaskets and architectural components deliver long-lasting performance.



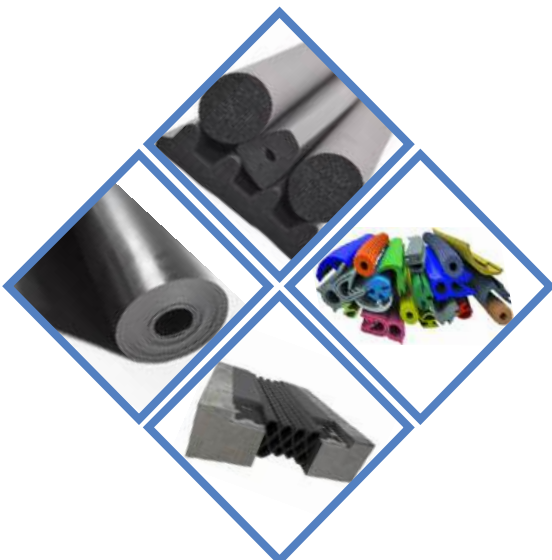
TPE CO-EX & COLORED RUBBER PROFILES

TPE is a high-performance thermoplastic rubber known for its flexibility, strength, and long-lasting performance. In the field of construction, it works effectively as a window sealing substance. We provides a diverse choice of co extruded seal shapes and sizes to provide optimal performance and accuracy. Additionally, the use of co-extruded material speeds up window construction and saves time and energy.



PVC PROFILES

Our Thermoplastic Profiles are recyclable, lightweight, and provide dimensional stability and long-term aging durability. Common applications automotive, construction, household and electrical.



RUBBER PROFILES

We are also engaged in offering a wide range of high-quality rubber profiles, including sponge rubber profiles, silicone rubber profiles, neoprene & nitrile rubber profiles, EPDM rubber waterproofing membranes, and expansion joint rubber profiles designed to deliver superior durability and performance for diverse industrial applications.

WE OFFER A WIDE RANGE OF CUSTOMIZED RUBBER/TPE/PVC EXTRUSION PRODUCTS

- Solid Rubber O-Ring Cord
- Rubber Tubing & Hose
- All type of Silicon
- Windows & Door Seals
- Weather Stripping
- Solid & Hollow D Seals
- Bulb Seal & Lip Seals
- Facade system gasket
- Conductive Silicone Tubing
- Hatch & Marine Seals
- Container Seals
- Custom Shape Profiles
- Autoclave Seals
- Press rubber
- Dam Seals
- U Channel
- Solid & Hollow P Seals
- Hollow & Solid Strips
- Automotive Seals
- Glazing Rubber
- Curtain wall
- All type of sponge
- All type of TPE Seals
- All type of PVC Seals



OUR CAPABILITY



**CUSTOM
CONTAINER SEAL**



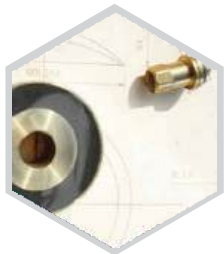
**UPVC &
CURTAIN WALL**



GLAZING



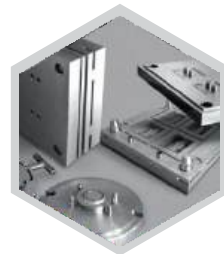
EPDM TUBE



**DESIGN & ENGINEERING
ASSISTANCE**



**CUSTOM
COMPOUND MIXING**



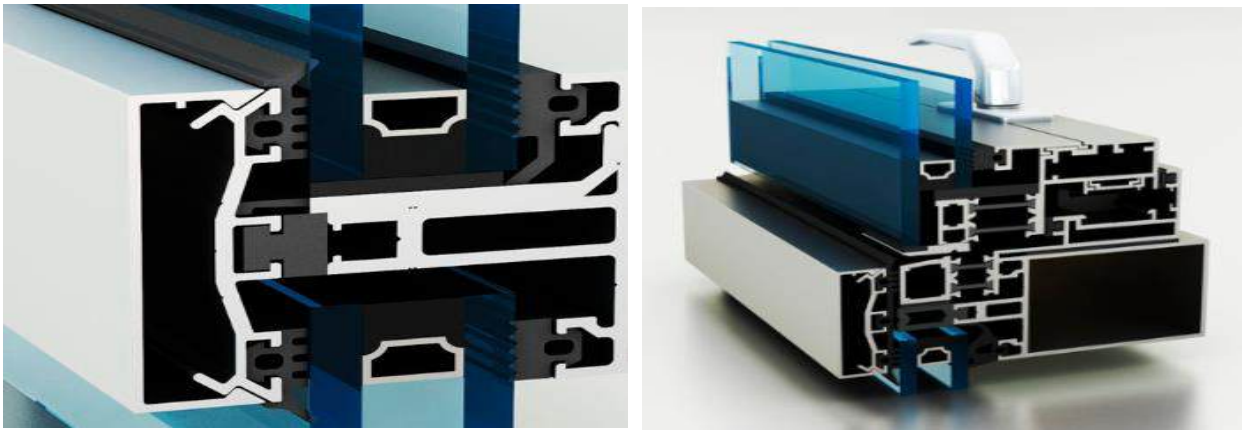
**CUSTOM TOOLING FOR
PROTOTYPE & PRODUCTION**



**RUBBER &
SILICON EXTRUSION**

ALUMINIUM DOOR, WINDOW AND FACADE SYSTEM GASKETS & SEALS

Curtain wall systems utilize glazing systems during manufacturing which are made up of rubber gaskets and plastic seals whose primary purpose is to reduce air flow and moisture from penetrating the building's interior. Both of these parts of the system play a crucial role in maintaining the structure's integrity and flexibility in ever changing weather conditions. While curtain wall systems seals can be made with different materials, plastic seals and sealants that are commonly made of silicone which has a reputation for having remarkable resistance to changing temperatures. Silicone has the added benefit of being a great insulator which is crucial in providing overall performance of the wall system of providing controlled temperature that doesn't compromise the energy efficiency of the building. Rubber gaskets that are also used to reduce vibration, keep the glass at a measured distance from the window frame, uniform cushioning between panels, and for providing additional temperature control.



UPVC DOOR AND WINDOW RUBBER GASKET

UPVC Gasket is made from a material called unplasticized polyvinyl chloride, a rigid and long-lasting Material frequently used to make window frames, pipes, and other building components. Between two Surfaces, such as a window frame and a glass panel or two sections of a pipe, this gasket is used to form a Watertight seal. UPVC Gasket is available in a variety of sizes and shapes. Usually, it is made to fit into a groove that surrounds the edge of the surface they are meant to seal.

Due to its resistance to chemicals, UV rays, and weathering, it can be used in a variety of applications.



GLAZING RUBBER PROFILES

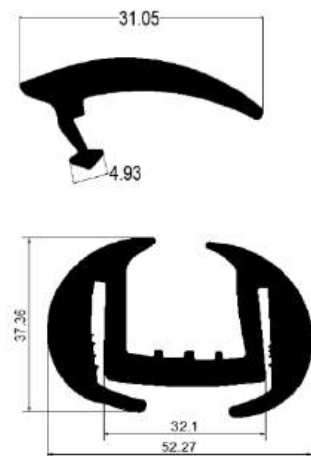
We are committed to providing high-quality glazing rubber profiles for all types of glazing applications. Our rubber profiles ensure optimal sealing, weatherproofing, and soundproofing, making them perfect for Both commercial and residential glazing systems. With our expert knowledge and customization options, we ensure that your glazing projects meet the highest standards of performance and safety.

Glazing Rubber Profiles are specialized rubber seals designed to fit around glass panels in windows, Doors, and other glass installations. These profiles serve to secure the glass within frames while providing superior sealing to protect against air leaks, water ingress, dust, and noise pollution. Made from various types of rubber compounds like EPDM, silicone, neoprene, or PVC, glazing rubber Profiles are formulated to provide excellent weather resistance, UV stability, flexibility, and long-term Durability. Their primary function is to create a tight seal between glass and frames, ensuring energy Efficiency, soundproofing, and enhanced protection for both commercial and residential applications.



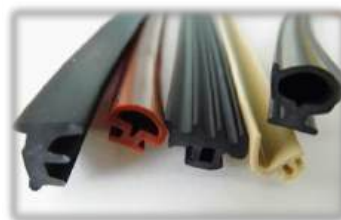
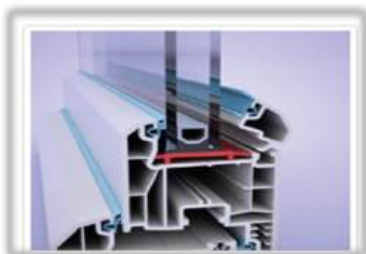
RAILWAY DOOR AND WINDOW GASKET

We extruded rubber products are extensively used in windows and doors of railway coaches. Our windows Glass seals and door seals are designed and manufactured to provide an excellent grip to the window panel Of AC train bogies. Our windows glass rubber profile provides a perfect seal to the inside glass surrounding. The aluminium channel, while the Saga railway coach door rubber profile seals are ideal for AC chamber doors since they help keep the doors tightly shut. This helps maintain the ideal temperatures inside the AC bogies. The IPR extruded rubber profiles are designed and manufactured in various shapes and sizes based on our client's need.

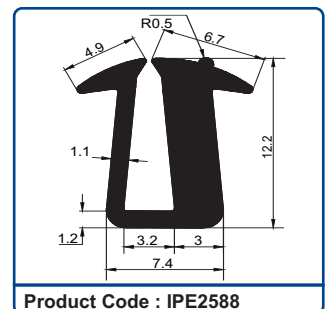
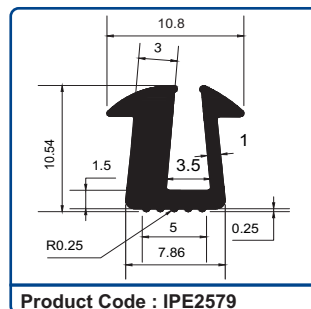
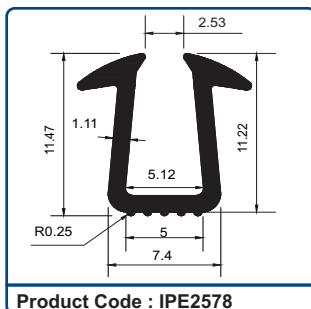
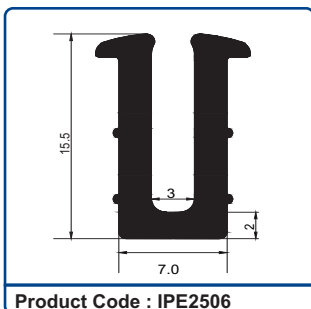
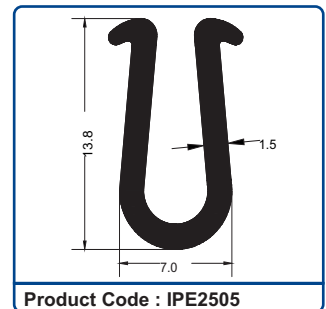
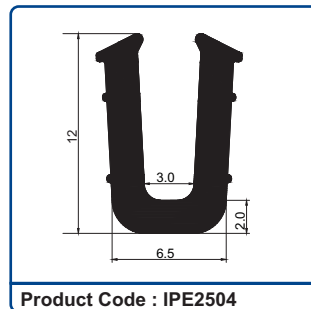
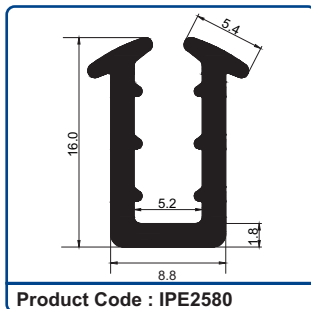
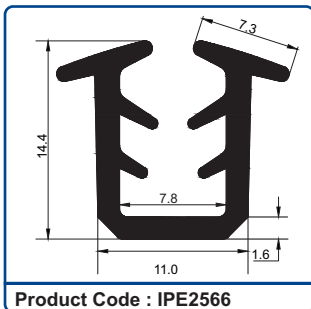
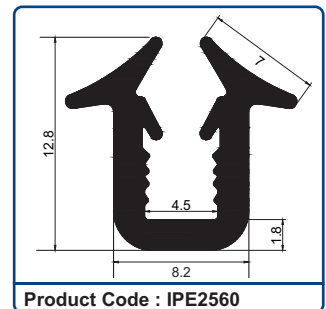
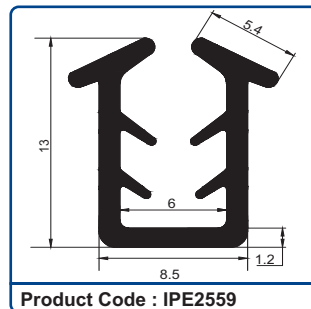
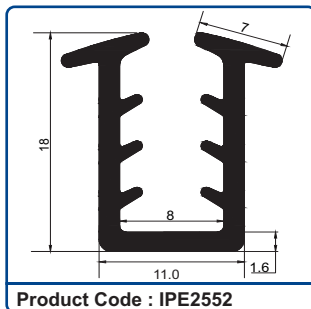
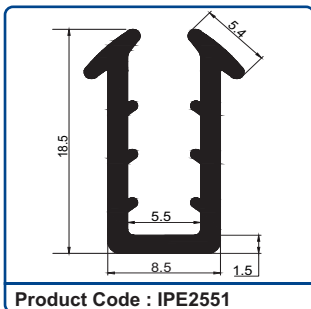
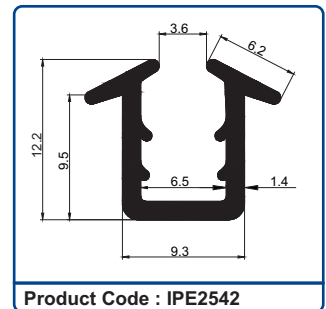
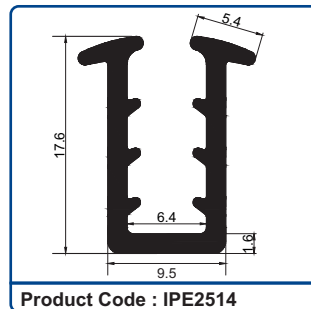
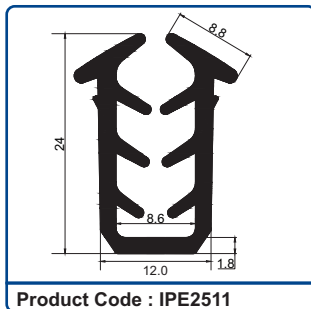
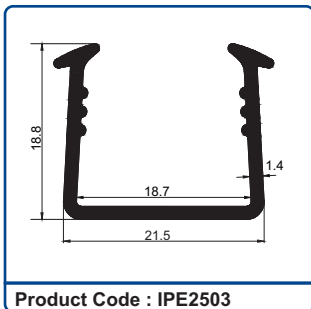
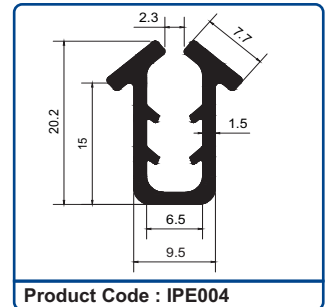
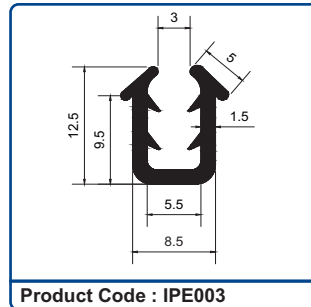
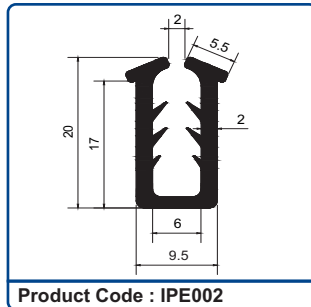
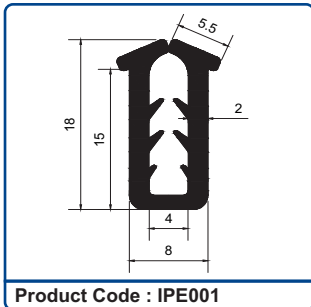


PVC DOOR & WINDOW GASKET SEALS

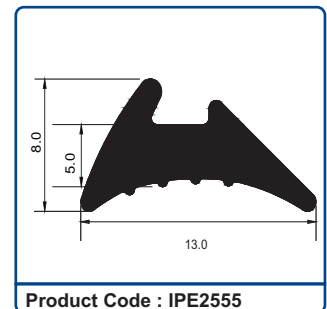
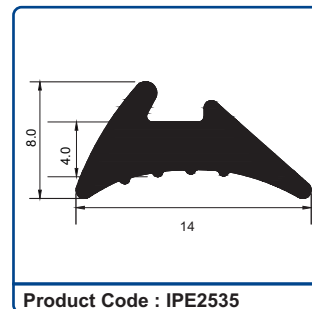
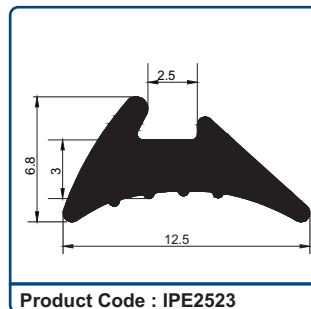
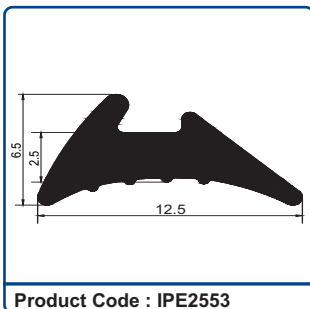
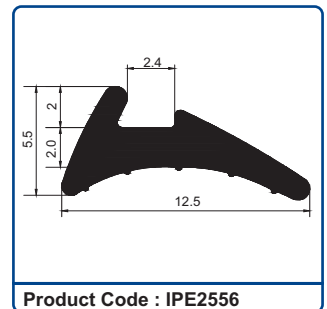
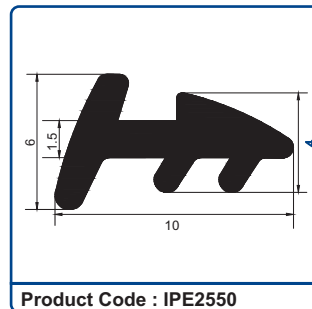
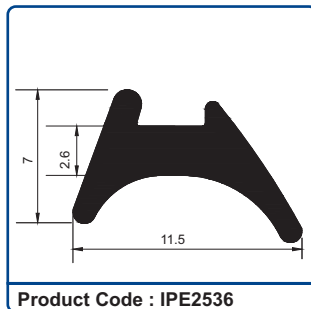
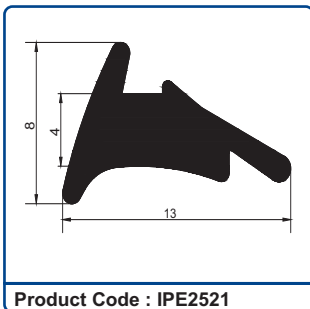
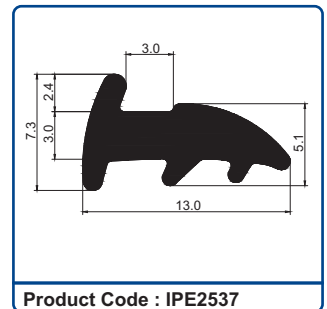
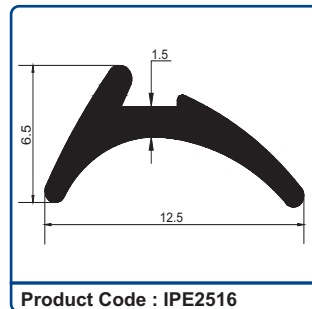
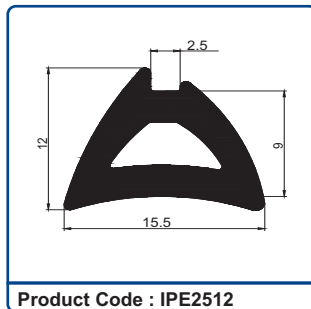
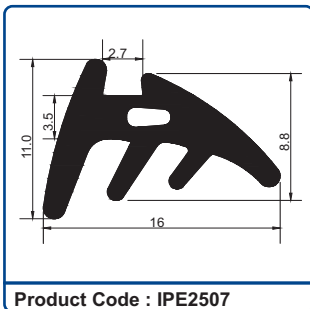
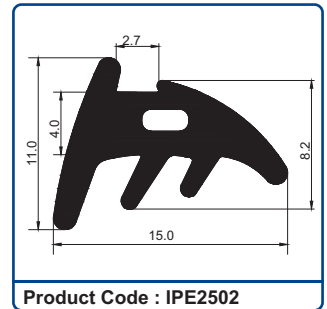
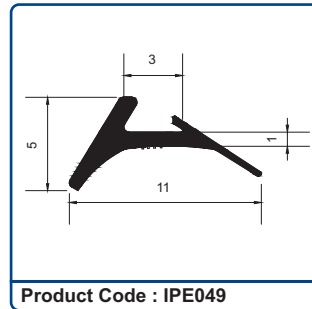
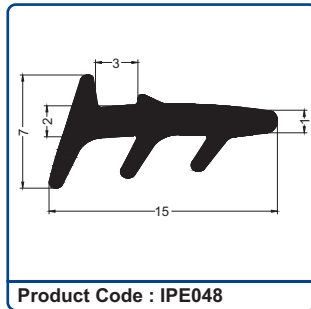
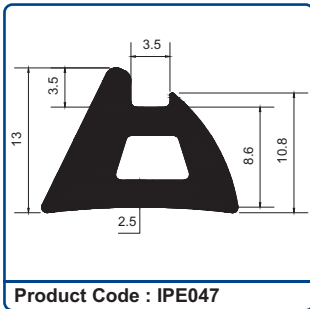
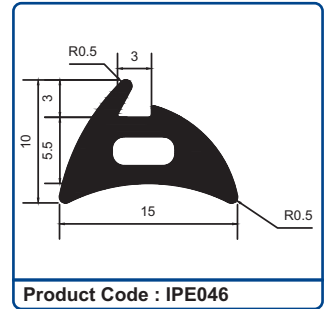
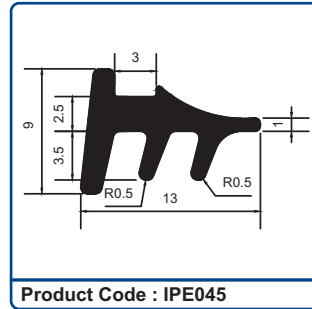
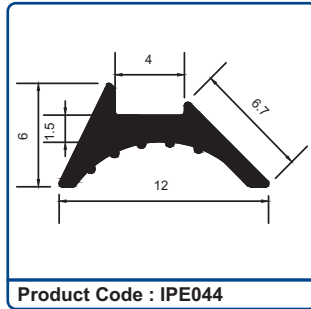
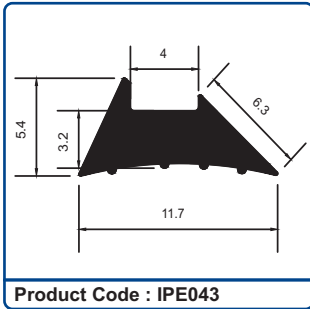
With its easy maintenance, high resistance, long life span, easy cleaning, and low cost, PVC Door and Window systems are among the most used systems in the industry. The sealing's are one of, if not the most, critical components of the window and door systems. Systems with insufficient gaskets will not seal properly against sound, water, and dust. The most widely used sealing solutions in PVC door and window systems are TPE (Thermoplastic Elastomer) gaskets. Our TPE gaskets are designed with three main parts.



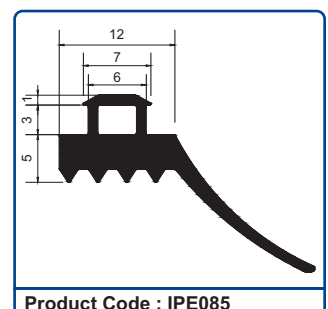
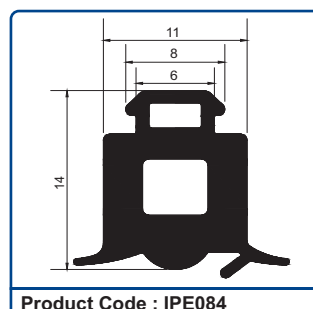
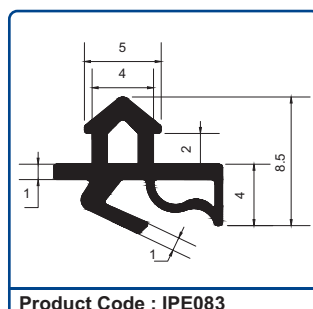
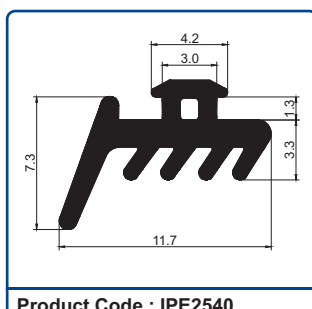
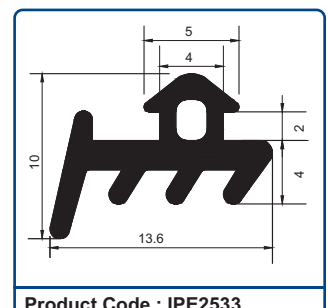
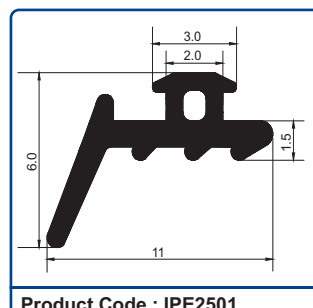
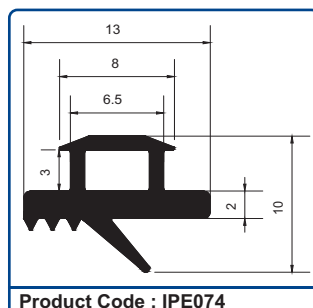
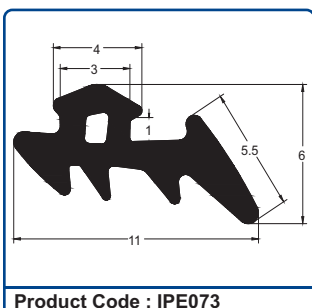
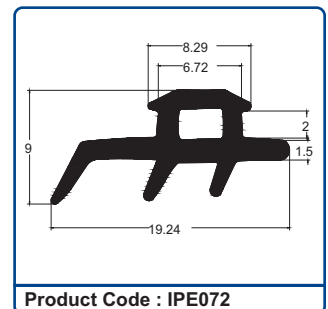
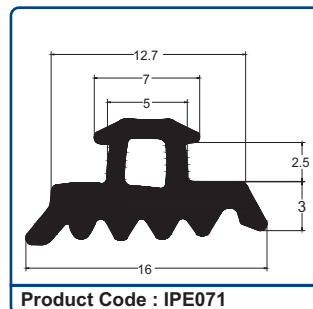
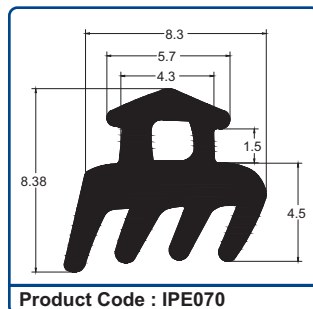
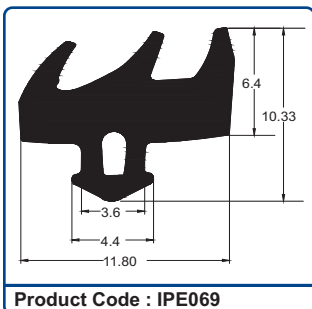
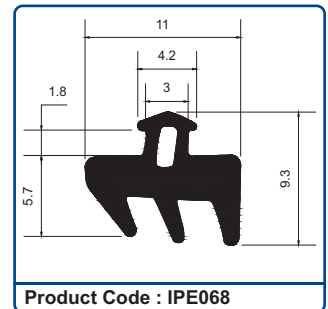
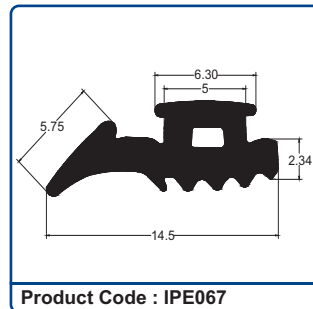
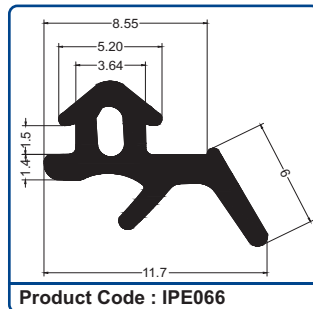
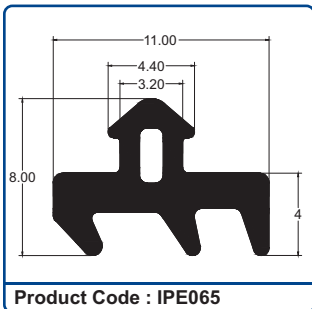
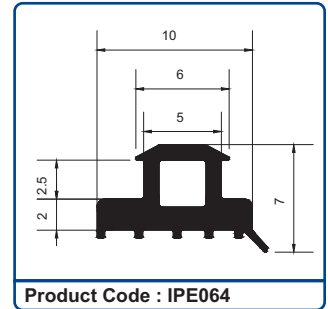
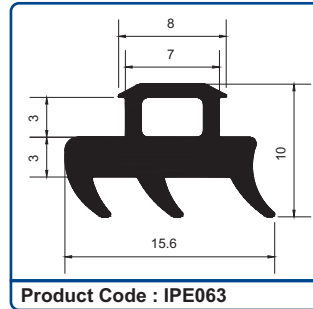
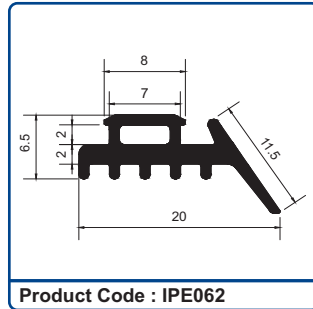
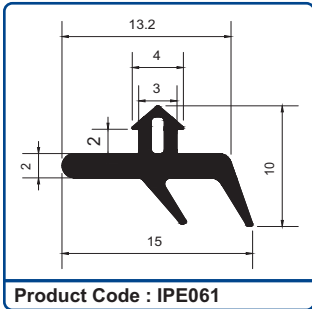
ALUMINIUM DOORS & WINDOWS RUBBER GASKET:



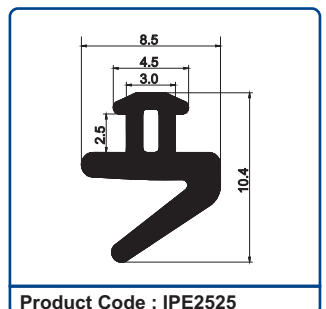
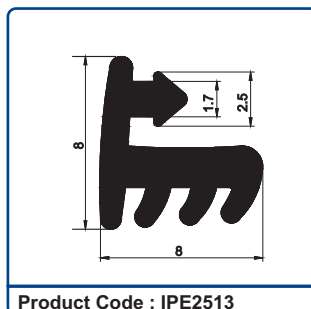
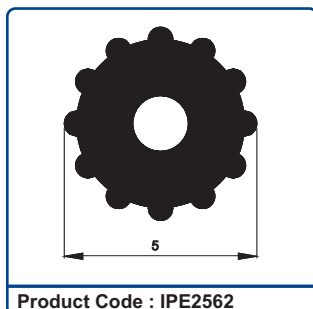
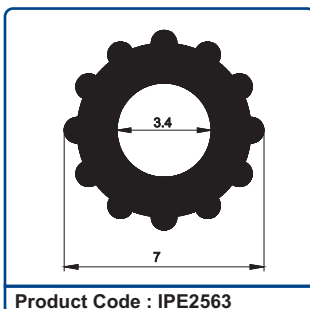
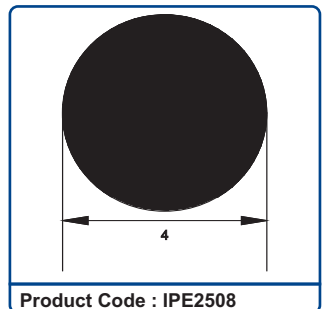
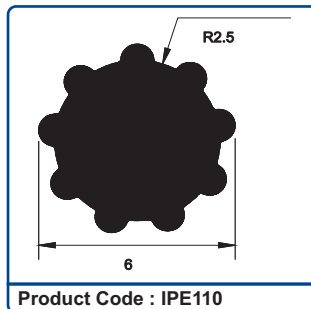
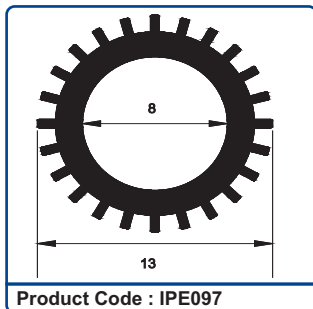
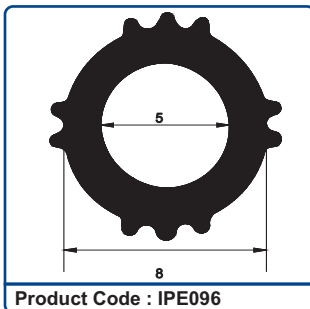
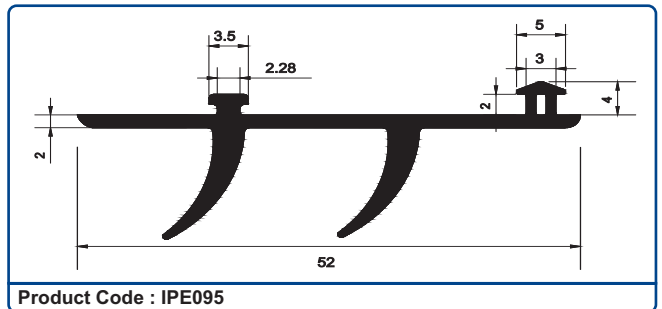
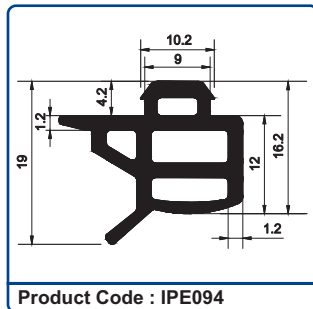
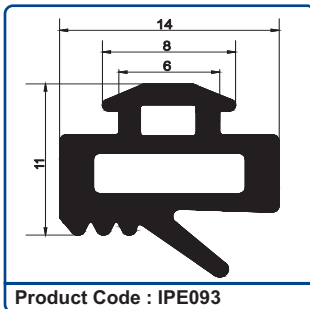
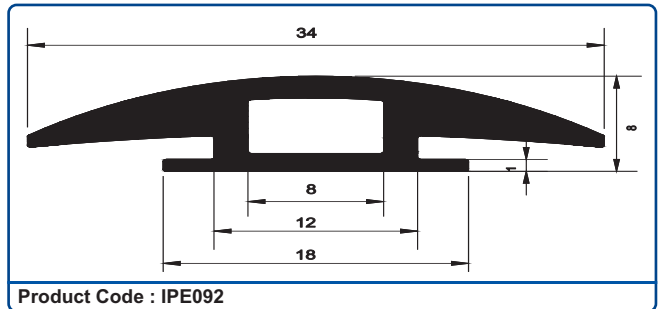
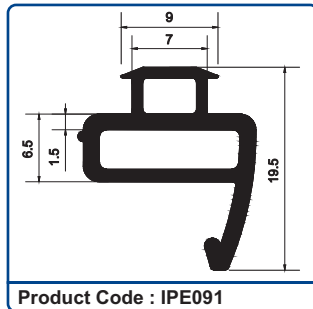
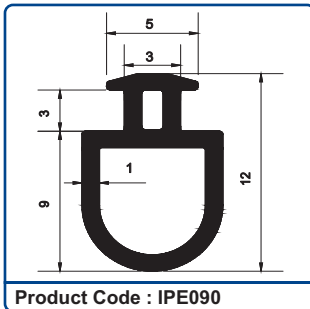
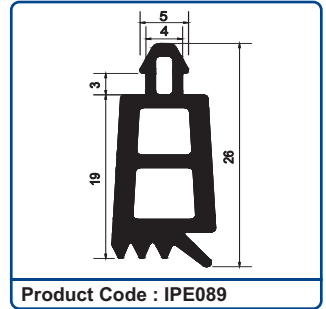
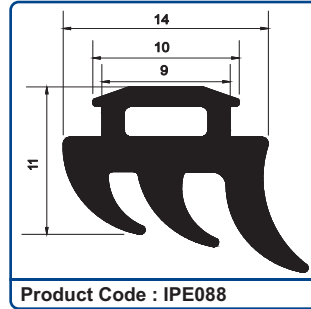
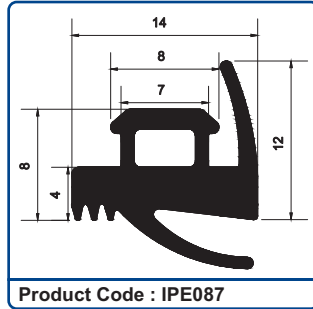
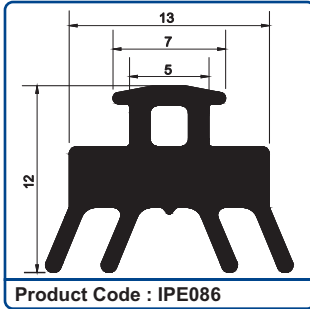
ALUMINIUM DOORS & WINDOWS RUBBER GASKET:



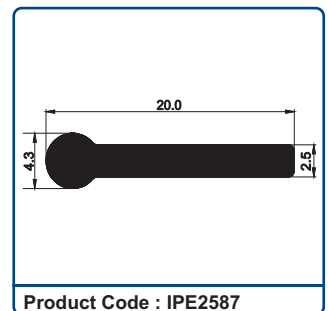
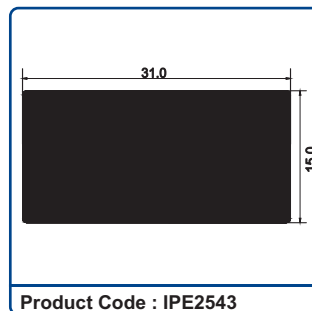
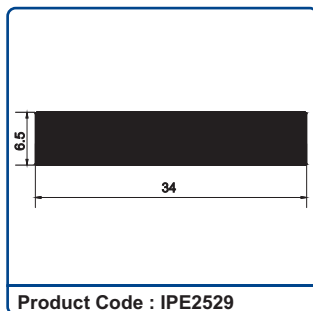
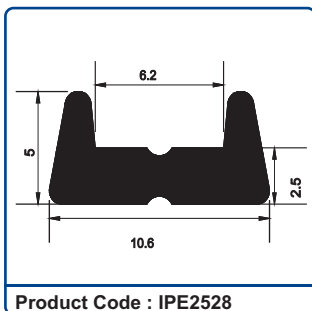
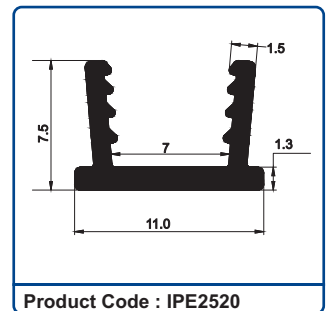
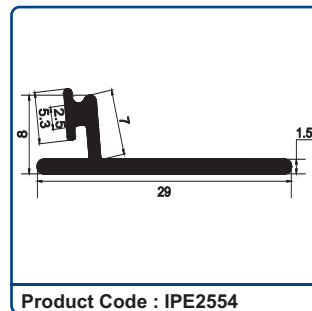
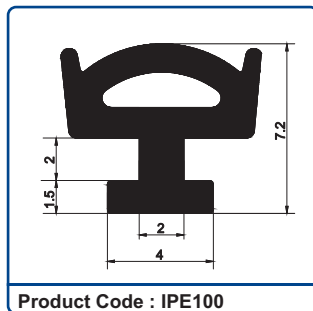
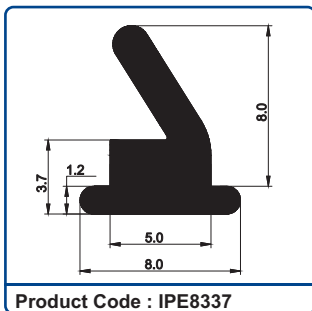
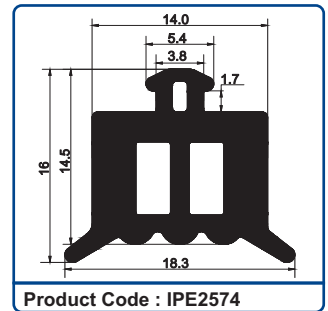
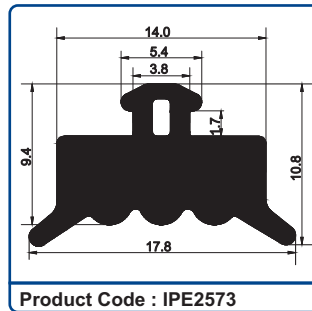
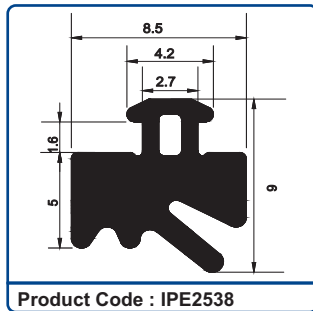
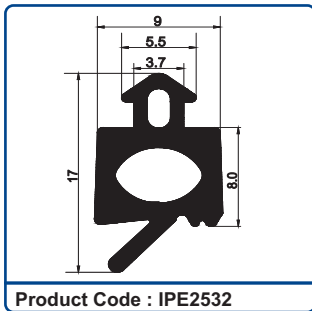
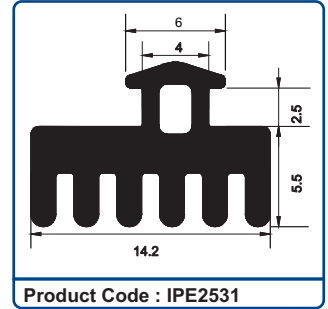
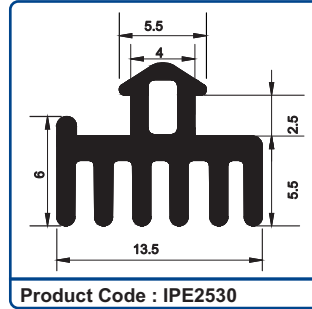
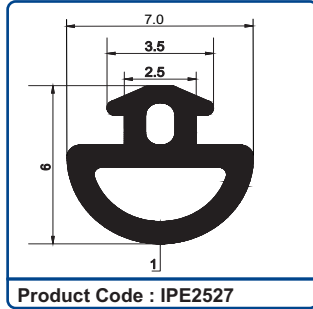
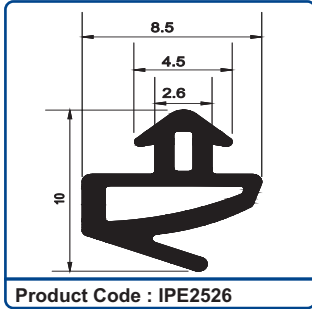
ALUMINIUM DOORS & WINDOWS RUBBER GASKET:



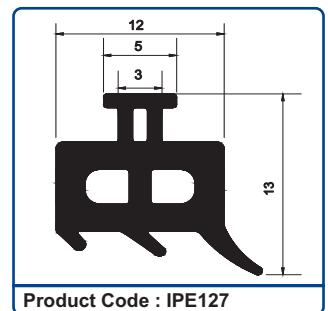
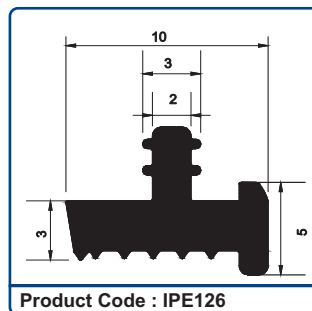
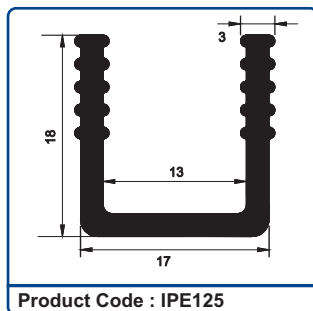
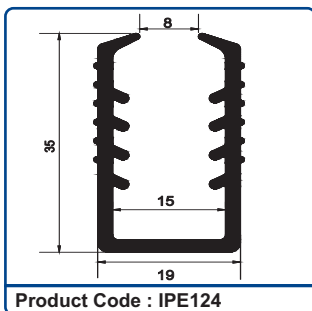
ALUMINIUM DOORS & WINDOWS RUBBER GASKET:



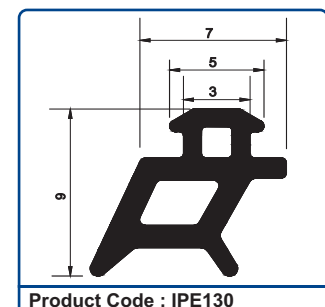
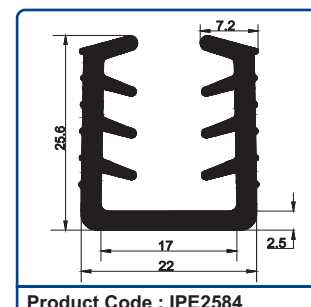
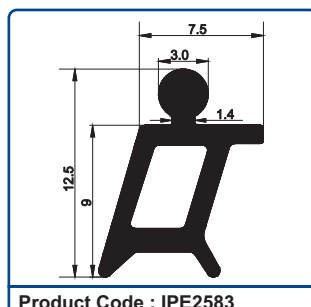
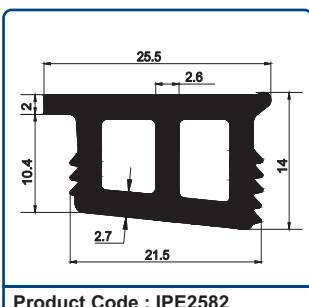
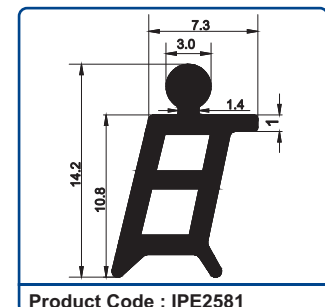
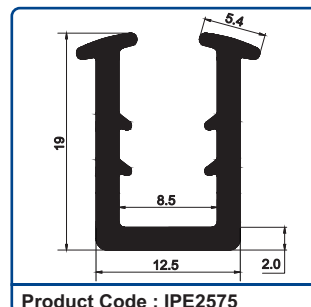
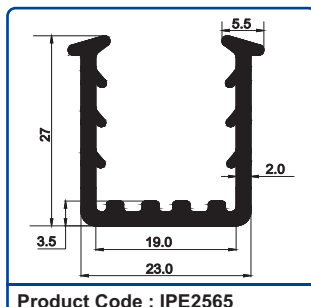
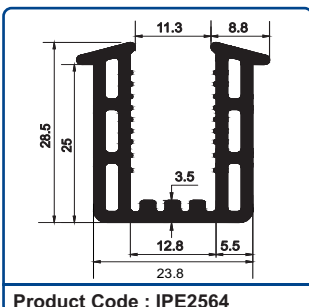
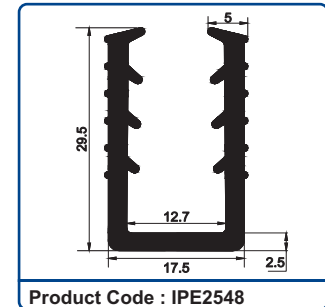
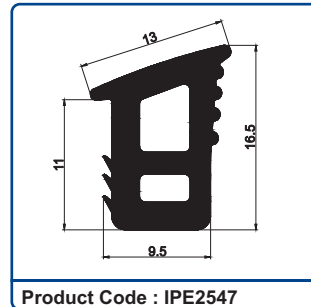
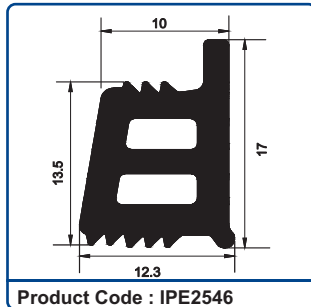
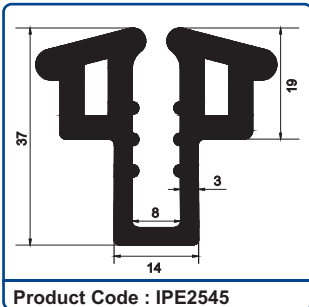
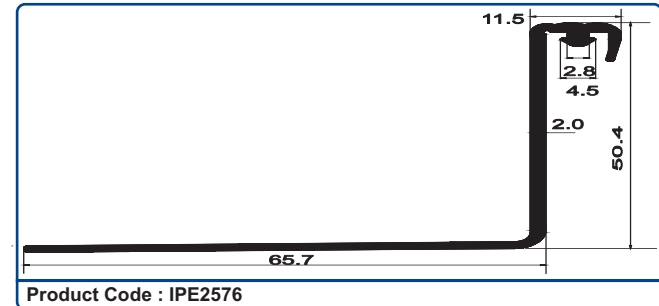
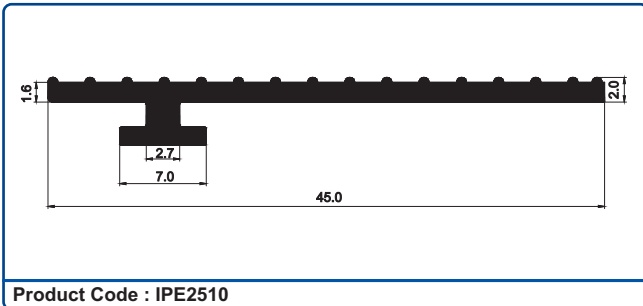
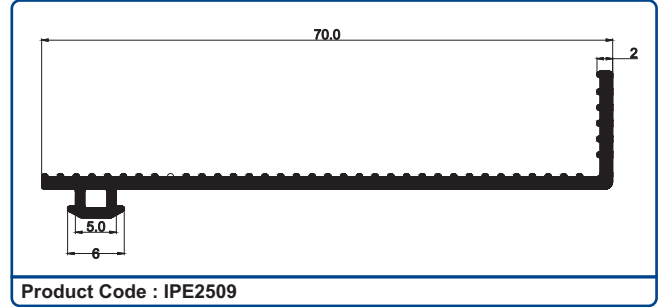
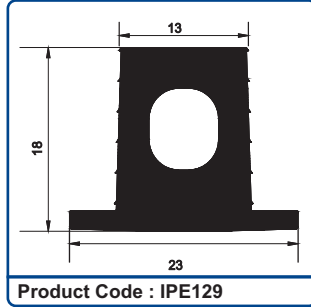
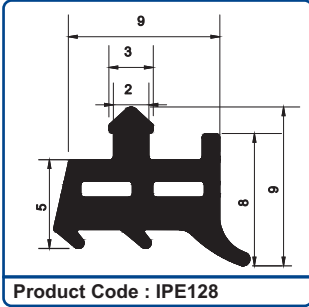
ALUMINIUM DOORS & WINDOWS RUBBER GASKET:



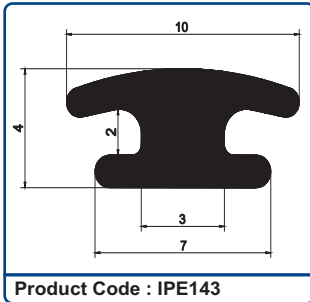
RAILING RUBBER GASKET:



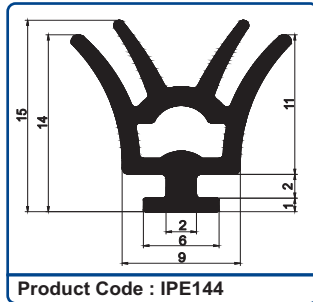
RAILING RUBBER GASKET:



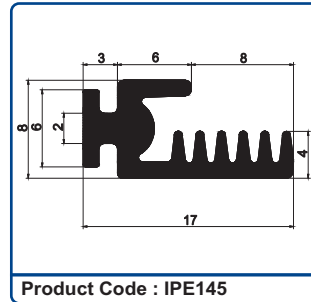
UPVC DOORS & WINDOWS RUBBER GASKET:



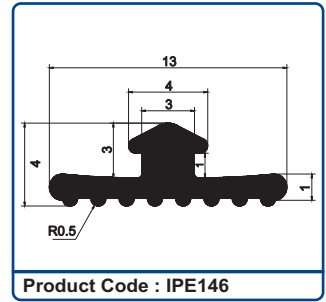
Product Code : IPE143



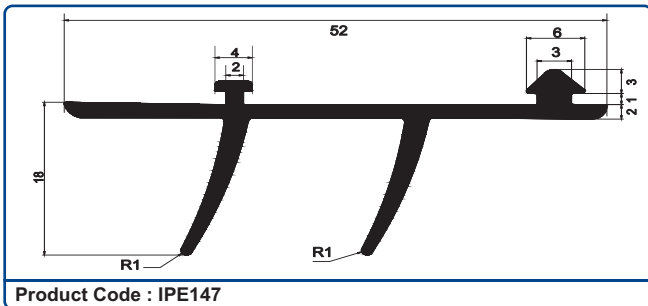
Product Code : IPE144



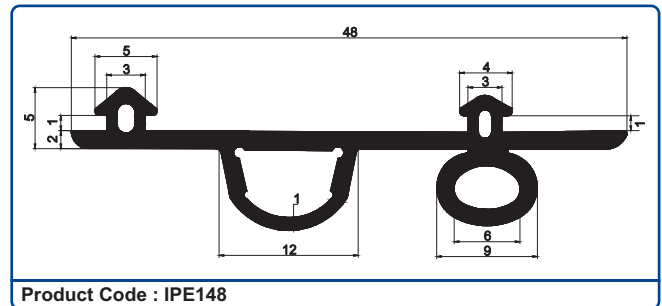
Product Code : IPE145



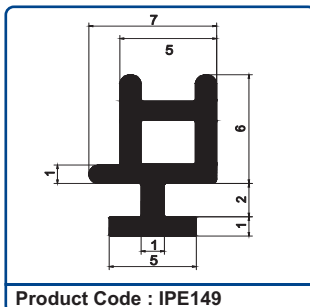
Product Code : IPE146



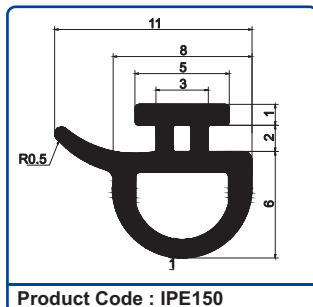
Product Code : IPE147



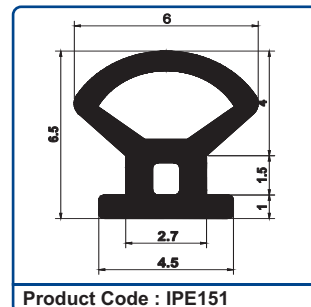
Product Code : IPE148



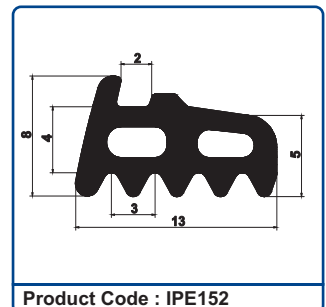
Product Code : IPE149



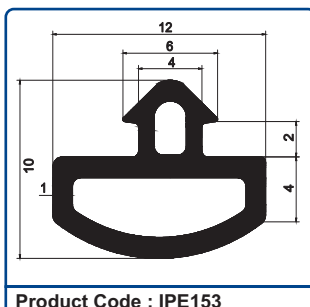
Product Code : IPE150



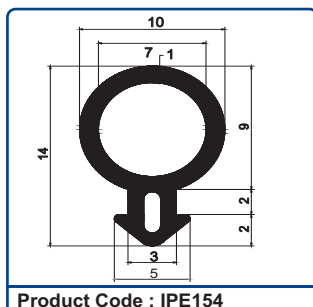
Product Code : IPE151



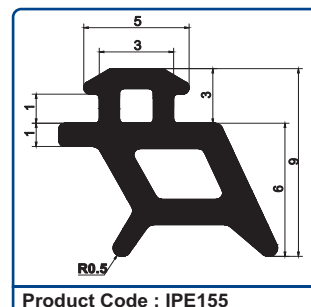
Product Code : IPE152



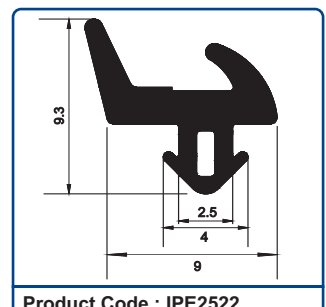
Product Code : IPE153



Product Code : IPE154

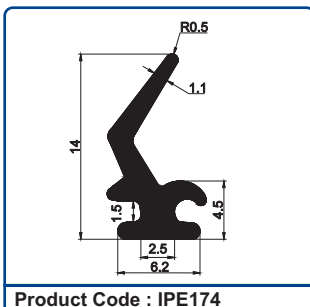


Product Code : IPE155

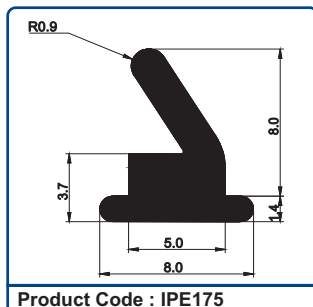


Product Code : IPE2522

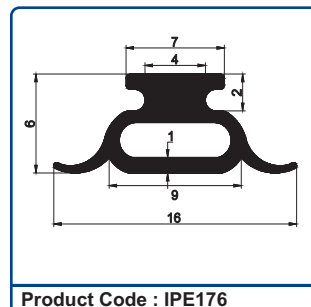
FACADE RUBBER GASKET:



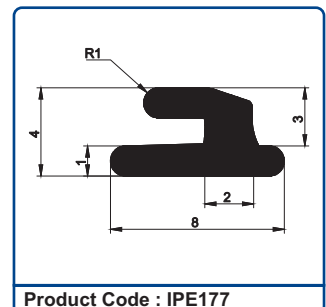
Product Code : IPE174



Product Code : IPE175

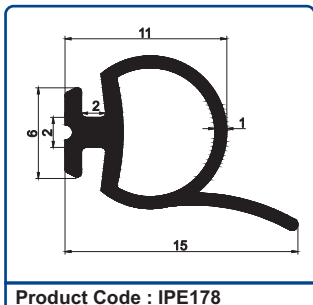


Product Code : IPE176

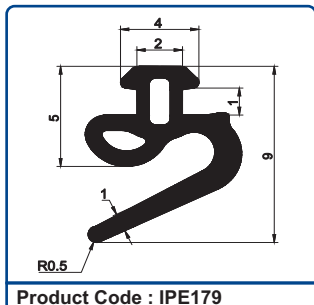


Product Code : IPE177

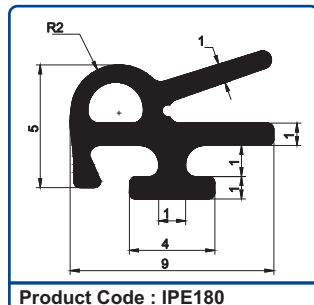
FACADE RUBBER GASKET:



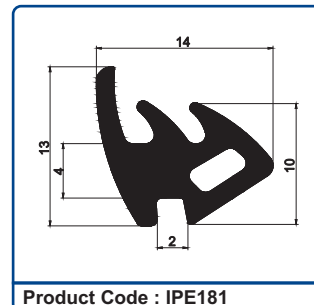
Product Code : IPE178



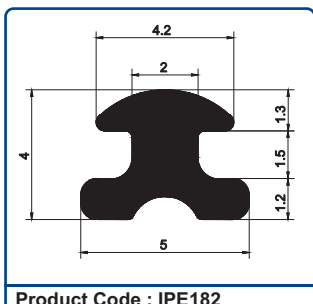
Product Code : IPE179



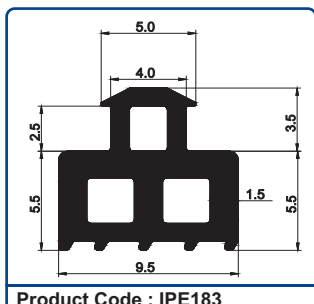
Product Code : IPE180



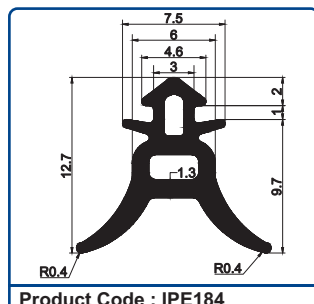
Product Code : IPE181



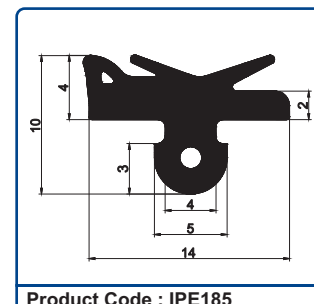
Product Code : IPE182



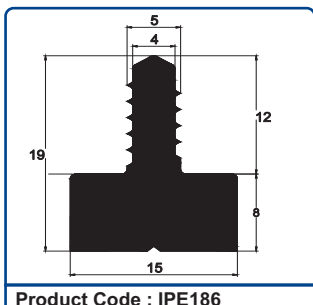
Product Code : IPE183



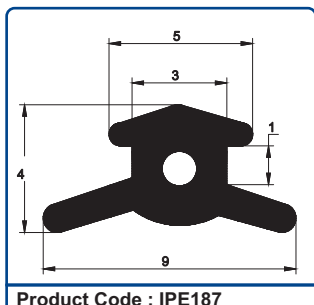
Product Code : IPE184



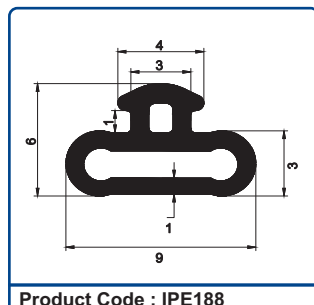
Product Code : IPE185



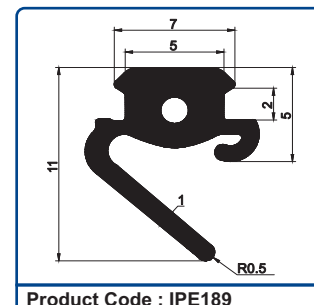
Product Code : IPE186



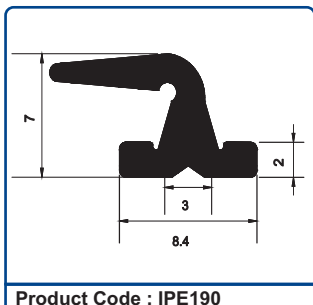
Product Code : IPE187



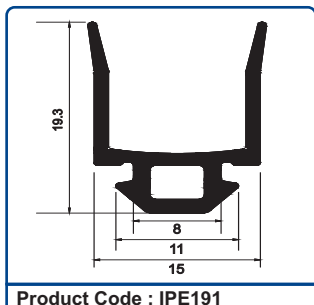
Product Code : IPE188



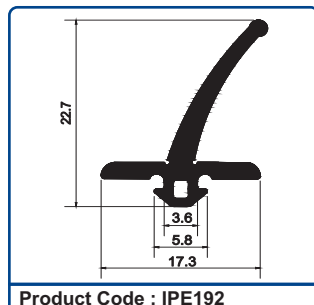
Product Code : IPE189



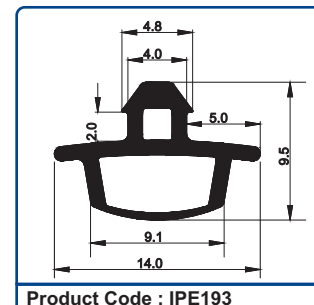
Product Code : IPE190



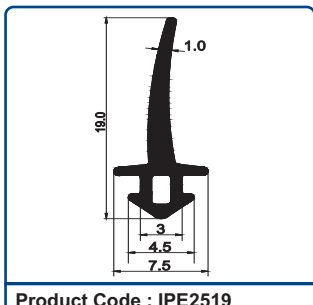
Product Code : IPE191



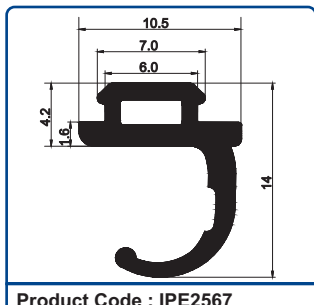
Product Code : IPE192



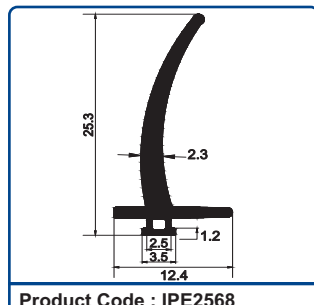
Product Code : IPE193



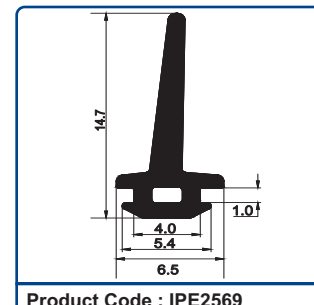
Product Code : IPE2519



Product Code : IPE2567

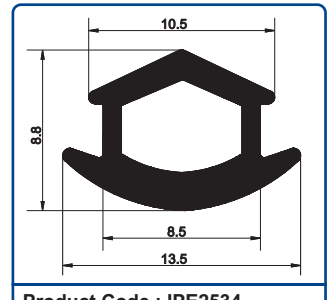
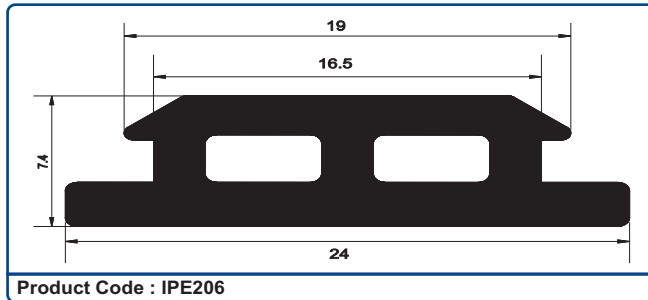
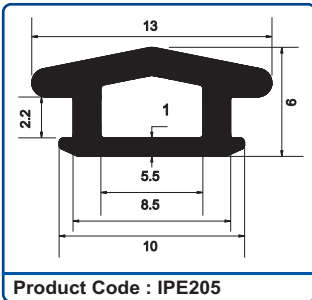
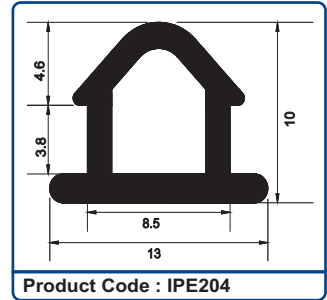
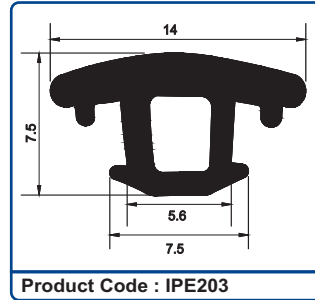
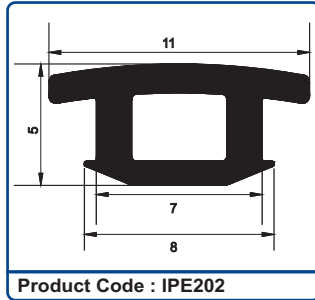
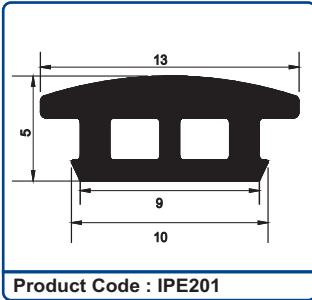


Product Code : IPE2568

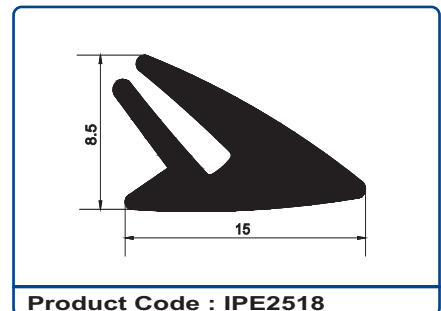
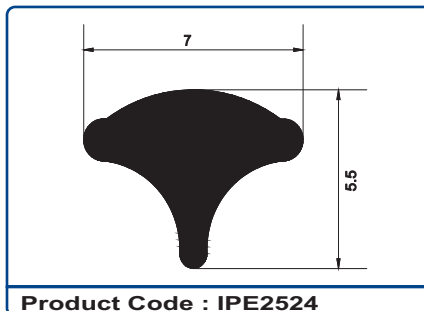
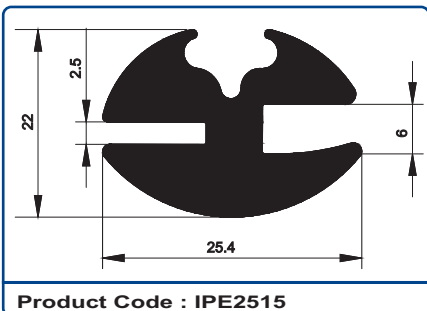
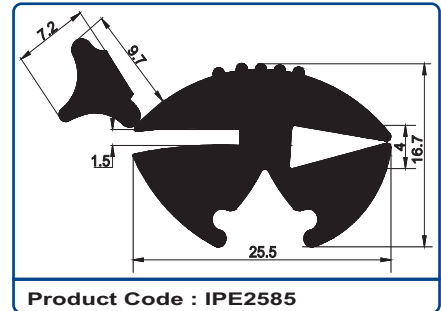
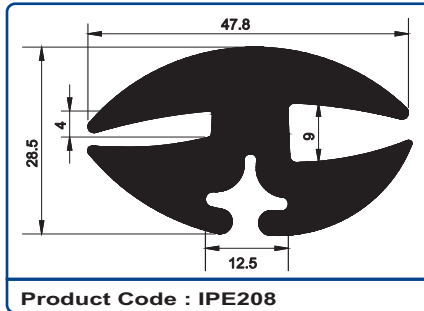
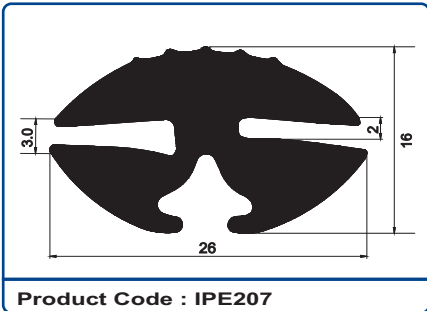


Product Code : IPE2569

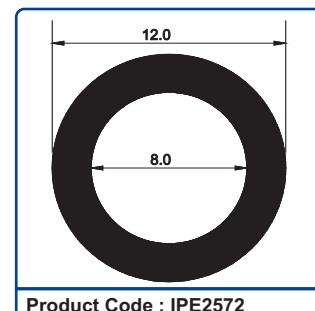
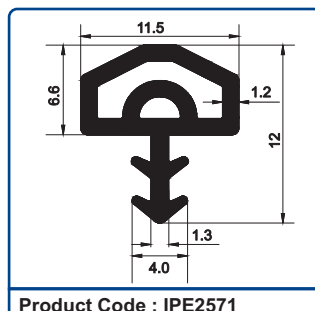
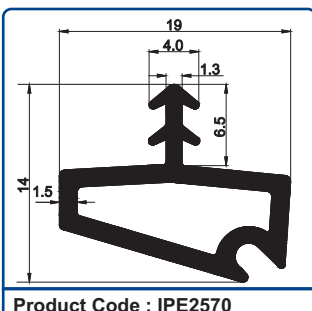
TRACK RUBBER GASKET:



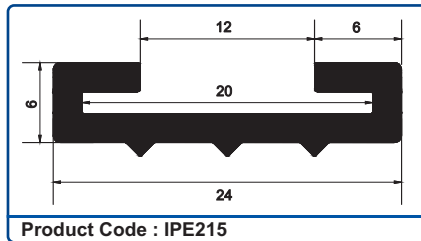
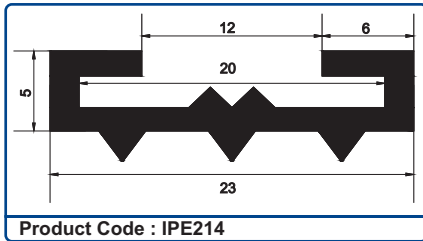
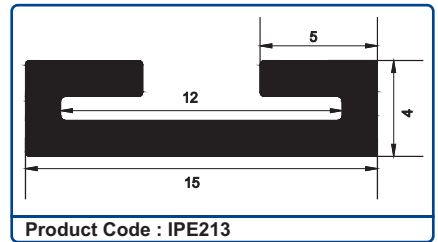
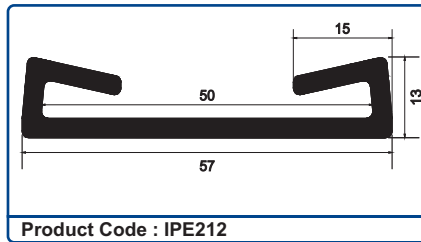
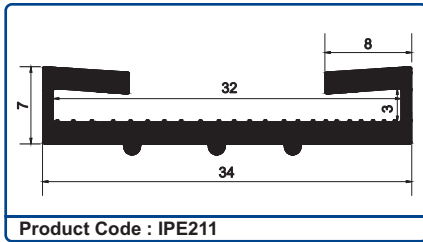
GLAZING RUBBER GASKET:



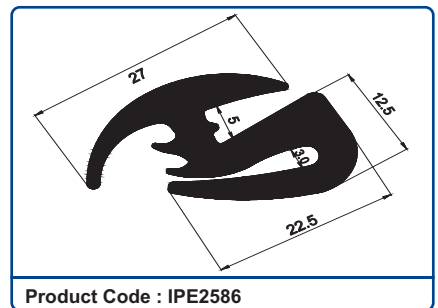
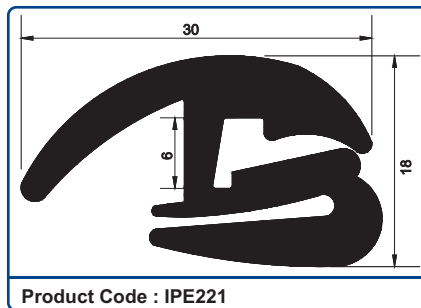
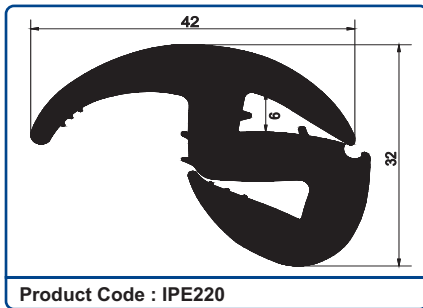
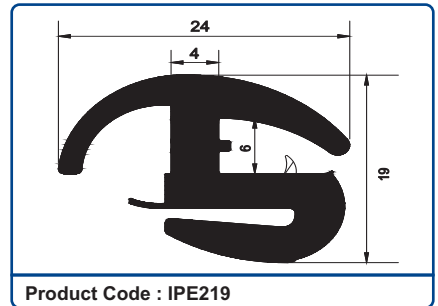
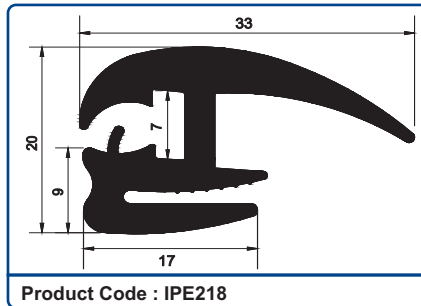
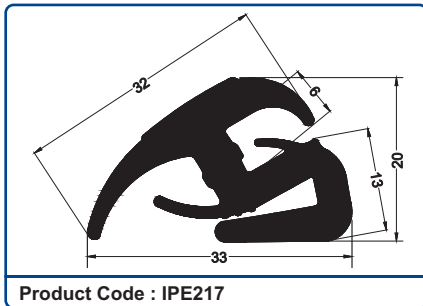
OTHER RUBBER GASKET:



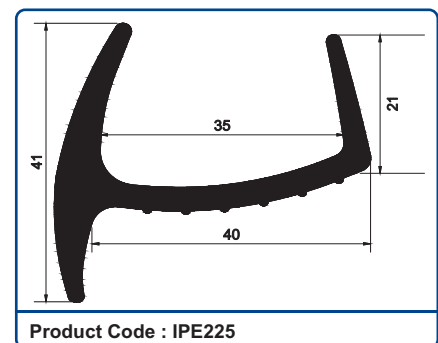
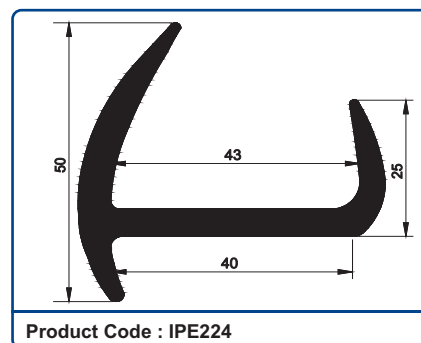
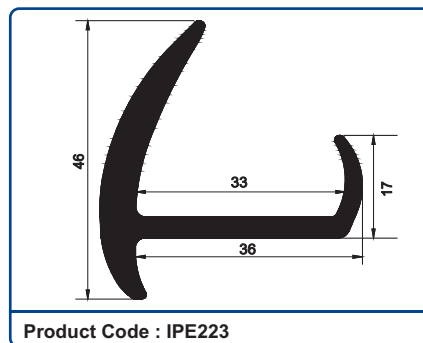
U-CLAMP & C-CLAMP RUBBER GASKET:



S-TYPE RUBBER GASKET:



CONTAINER RUBBER GASKET:



TPE Co-Extruded Rubber Gasket:

Product Code : IPTPE001
F Gasket
Size: 4.2mm

Product Code : IPTPE002
F Gasket
Size: 4.4mm

Product Code : IPTPE003
F Gasket
Size: 4.8mm

Product Code : IPTPE004
F Gasket
Size: 5.4mm

Product Code : IPTPE005
F Gasket
Size: 4.2mm

Product Code : IPTPE006
F Gasket
Size: 4.4mm

Product Code : IPTPE007
F Gasket
Size: 4.8mm

Product Code : IPTPE008
F Gasket
Size: 5.4mm

Product Code : IPTPE009
"D" Half Bubble Gasket
Size: 4.2mm

Product Code : IPTPE010
"D" Half Bubble Gasket
Size: 4.4mm

Product Code : IPTPE011
"D" Half Bubble Gasket
Size: 4.8mm

Product Code : IPTPE012
"D" Half Bubble Gasket
Size: 5.4mm

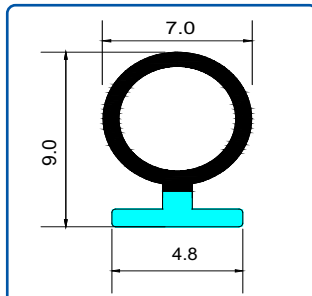
Product Code : IPTPE013
"D" Half Bubble Gasket
Size: 6.8mm

Product Code : IPTPE014
"D" Half Bubble Gasket
Size: 7.2mm

Product Code : IPTPE015
"O" Round Bubble Gasket
Size: 4.2mm

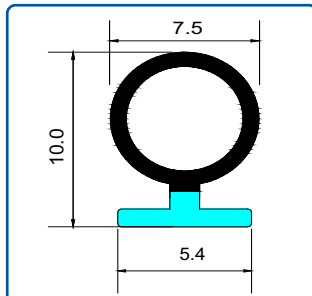
Product Code : IPTPE016
"O" Round Bubble Gasket
Size: 4.4mm

TPE Co-Extruded Rubber Gasket:



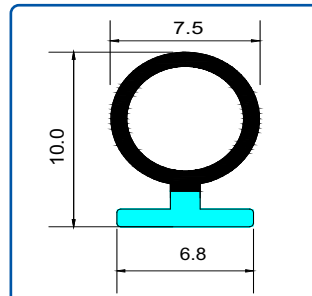
Product Code : IPTPE017

"O" Round Bubble Gasket
Size: 4.8mm



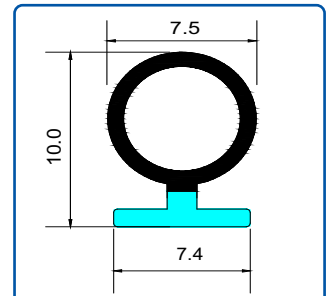
Product Code : IPTPE018

"O" Round Bubble Gasket
Size: 5.4mm



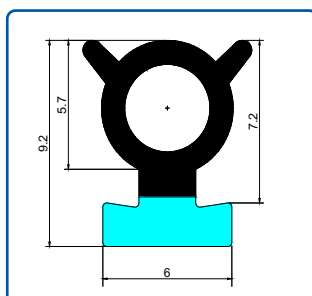
Product Code : IPTPE019

"O" Round Bubble Gasket
Size: 6.8mm



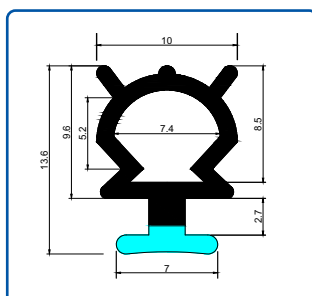
Product Code : IPTPE020

"O" Round Bubble Gasket
Size: 7.2mm



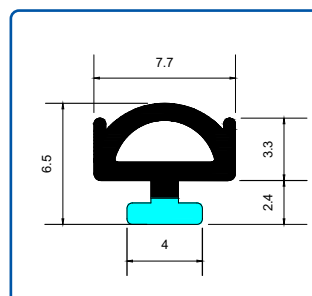
Product Code : IPTPE021

Bubble Gasket
Size: 6.0mm



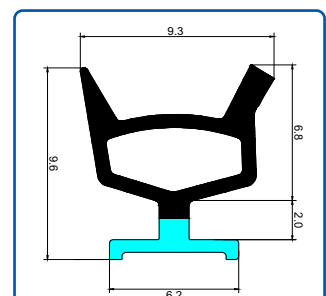
Product Code : IPTPE022

Bubble Gasket
Size: 7.0mm



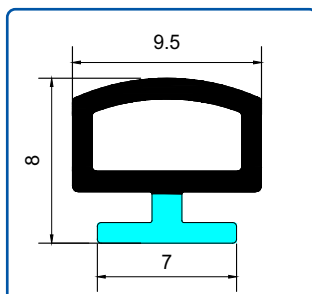
Product Code : IPTPE023

Bubble Gasket
Size: 4.0mm



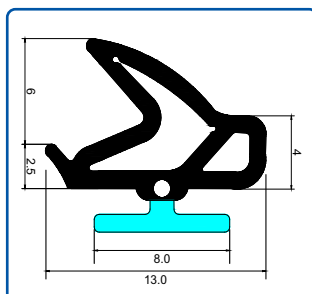
Product Code : IPTPE024

Bubble Gasket
Size: 6.2mm



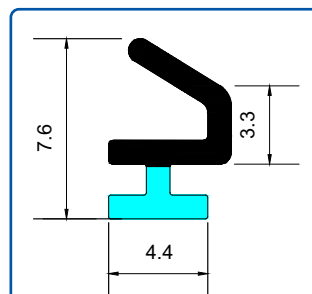
Product Code : IPTPE025

Bubble Gasket
Size: 7.0mm



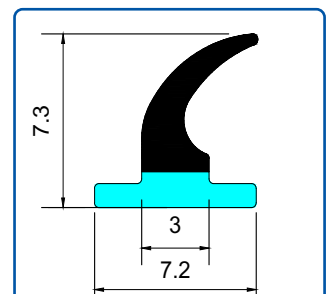
Product Code : IPTPE026

Bubble Gasket
Size: 8.0mm



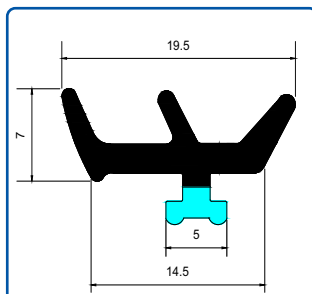
Product Code : IPTPE027

45° L Shape Gasket
Size: 4.2mm



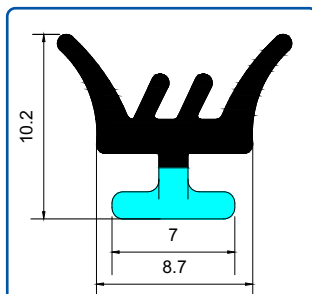
Product Code : IPTPE028

T Shape Gasket
Size: 7.2mm



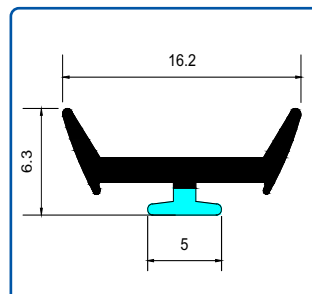
Product Code : IPTPE029

Fitting Gasket



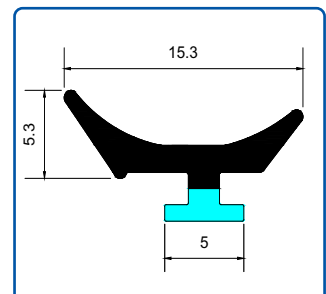
Product Code : IPTPE030

Fitting Gasket



Product Code : IPTPE031

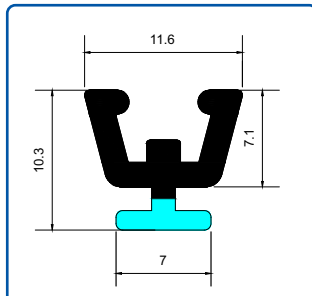
Glazing Gasket



Product Code : IPTPE032

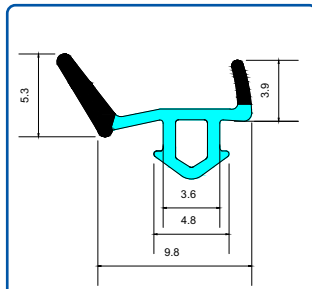
F Gasket

TPE Co-Extruded Rubber Gasket:



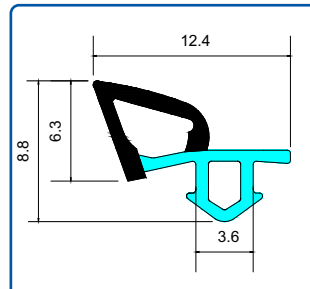
Product Code : IPTPE033

U Type Gasket
Size: 7.0mm



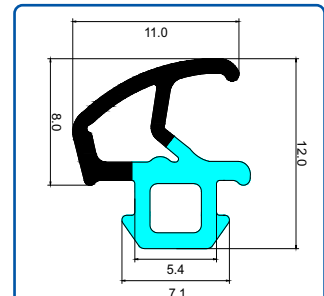
Product Code : IPTPE034

K Type Gasket
Groove Size: 3.6mm



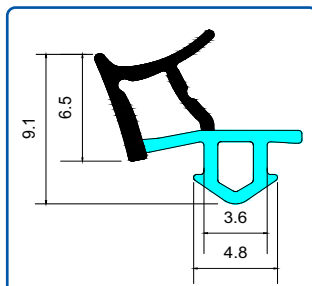
Product Code : IPTPE035

Universal Gasket
Groove Size: 3.6mm



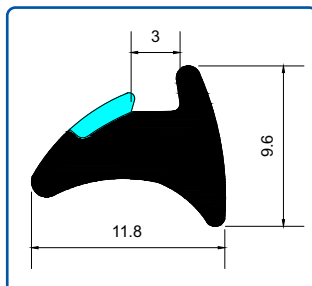
Product Code : IPTPE036

Universal Gasket
Groove Size: 5.4mm



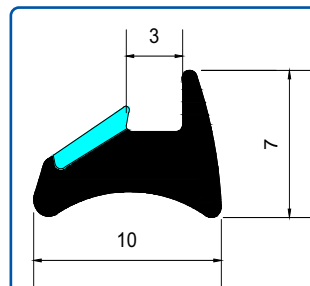
Product Code : IPTPE037

Universal Gasket
Groove Size: 3.6mm



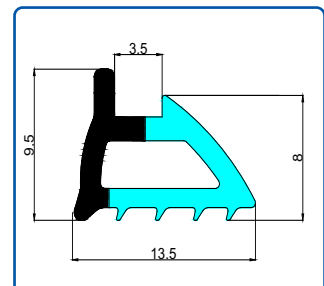
Product Code : IPTPE038

F Gasket
Size: 4.0mm



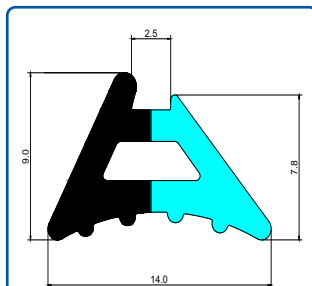
Product Code : IPTPE039

F Gasket
Size: 4.0mm



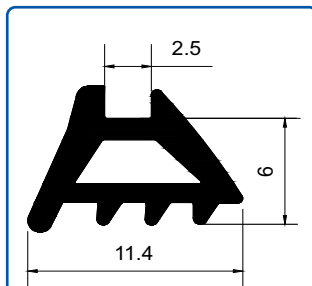
Product Code : IPTPE040

Press Fit Hollow Gasket



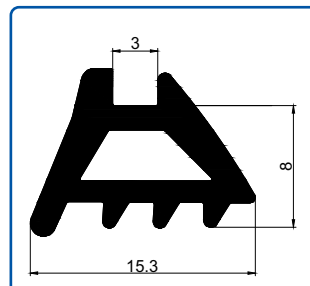
Product Code : IPTPE041

Press Fit Hollow Gasket



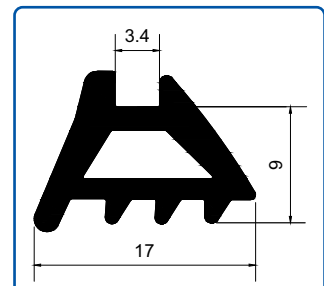
Product Code : IPTPE054

Press Fit Hollow Gasket
Gape Cover: 4 to 5mm



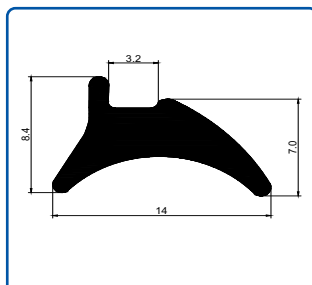
Product Code : IPTPE055

Press Fit Hollow Gasket
Gape Cover: 5 to 6mm



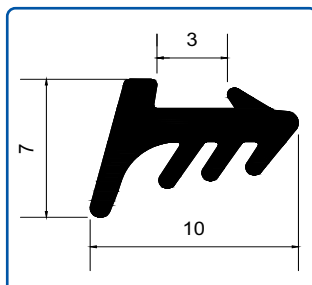
Product Code : IPTPE056

Press Fit Hollow Gasket
Gape Cover: 6 to 7mm



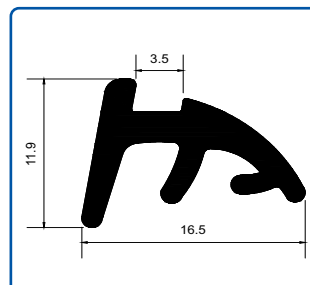
Product Code : IPTPE057

Press Fit Gasket



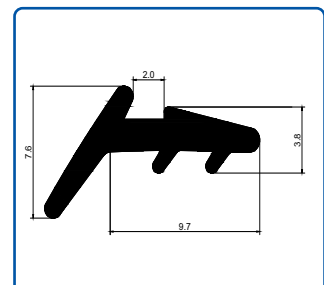
Product Code : IPTPE058

Press Fit Gasket



Product Code : IPTPE059

Press Fit Gasket



Product Code : IPTPE060

Press Fit Gasket

TPE Rubber Gasket:

Product Code : IPTPE077
Gasket

Product Code : IPTPE078
Gasket

Product Code : IPTPE079
Gasket

Product Code : IPTPE080
Gasket

Product Code : IPTPE081
Glazing Gasket

Product Code : IPTPE082
"D" Half Bubble Gasket
Size: 7.0mm

Product Code : IPTPE083
"O" Round Bubble Gasket
Size: 4.4mm

Product Code : IPTPE084
Bubble Gasket
Size: 3.8mm

Product Code : IPTPE085
Bubble Gasket
Size: 7.0mm

Product Code : IPTPE086
Bubble Gasket
Size: 4.6mm

Product Code : IPTPE087
Bubble Gasket
Size: 4.4mm

Product Code : IPTPE088
Bubble Gasket
Size: 4.2mm

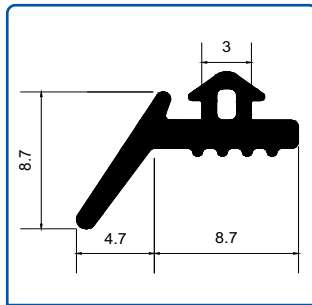
Product Code : IPTPE089
Bubble Gasket
Size: 6.8mm

Product Code : IPTPE090
Bubble Gasket
Size: 8.0mm

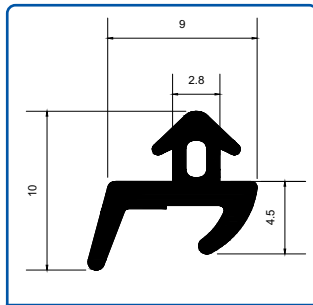
Product Code : IPTPE091
Bubble Gasket
Size: 6.0mm

Product Code : IPTPE092
Bubble Gasket
Size: 2.7mm

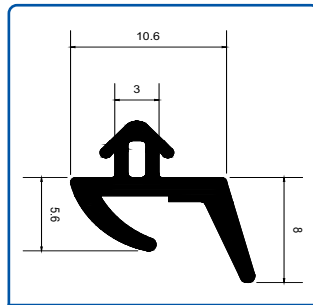
TPE Rubber Gasket:



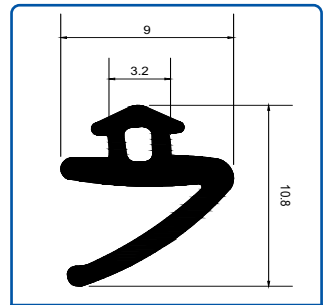
Product Code : IPTPE093
Gasket
Groove Size: 3.0mm



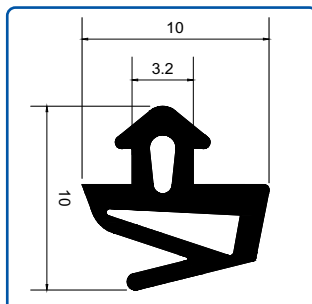
Product Code : IPTPE094
K Type Gasket
Groove Size: 2.8mm



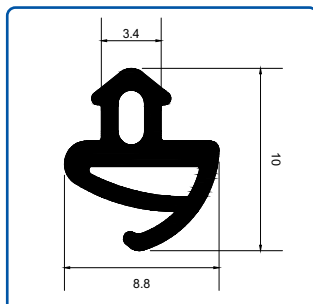
Product Code : IPTPE095
K Type Gasket
Groove Size: 3.0mm



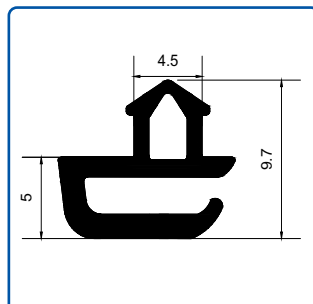
Product Code : IPTPE096
Casement Gasket
Groove Size: 3.2mm



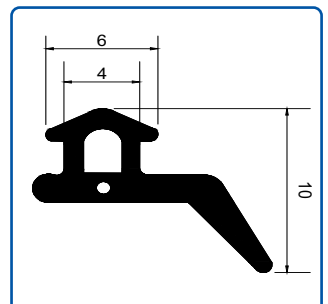
Product Code : IPTPE097
Casement Gasket
Groove Size: 3.2mm



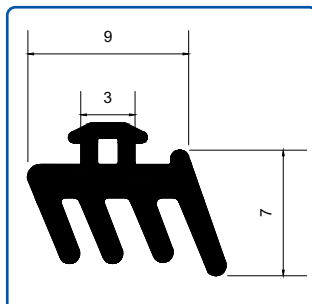
Product Code : IPTPE098
Casement Gasket
Groove Size: 3.4mm



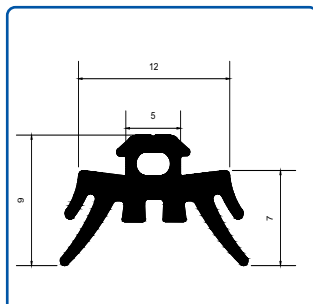
Product Code : IPTPE099
Casement Gasket
Groove Size: 4.5mm



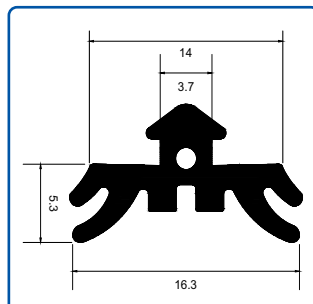
Product Code : IPTPE100
Gasket
Groove Size: 4.0mm



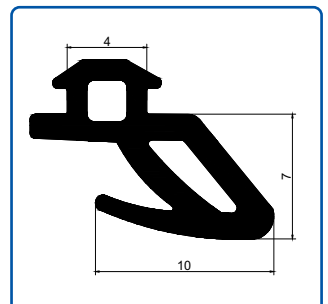
Product Code : IPTPE101
Gasket
Groove Size: 3.0mm



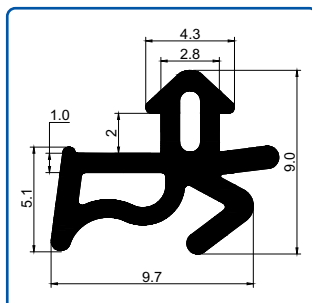
Product Code : IPTPE102
Gasket
Groove Size: 5.0mm



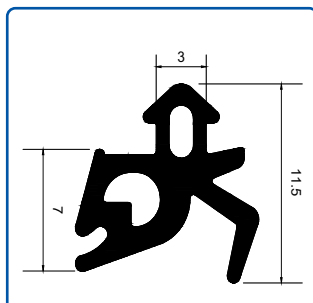
Product Code : IPTPE103
Gasket
Groove Size: 3.7mm



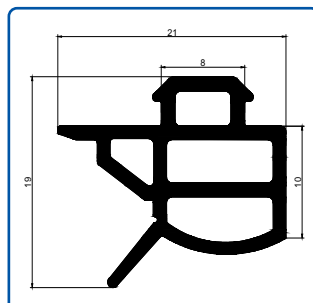
Product Code : IPTPE104
Gasket
Groove Size: 4.0mm



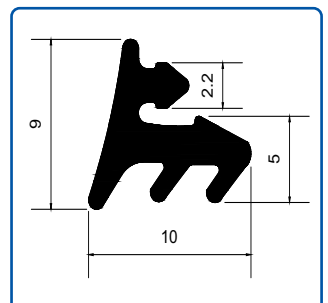
Product Code : IPTPE105
Gasket
Groove Size: 2.8mm



Product Code : IPTPE106
F Gasket
Groove Size: 3.0mm

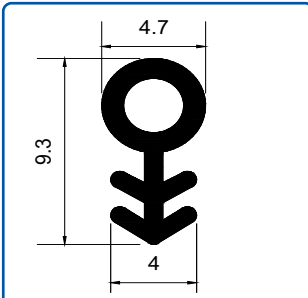


Product Code : IPTPE107
Gasket
Groove Size: 8.0mm



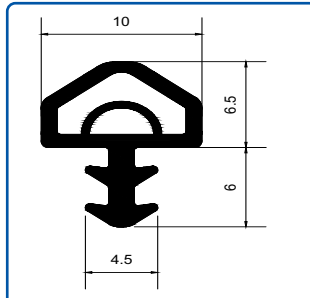
Product Code : IPTPE108
Gasket
Groove Size: 2.2mm

TPE Rubber Gasket:



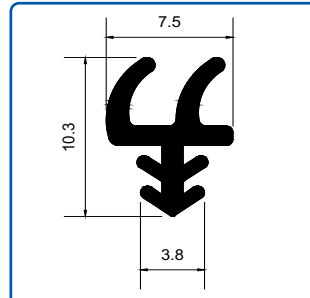
Product Code : IPTPE109

Bubble Gasket
Groove Size: 4.0mm



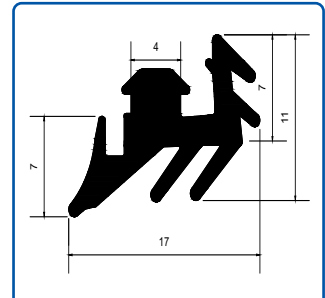
Product Code : IPTPE110

Bubble Gasket
Groove Size: 4.5mm



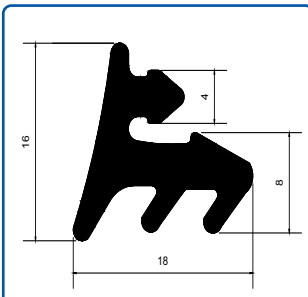
Product Code : IPTPE111

Gasket
Groove Size: 3.8mm



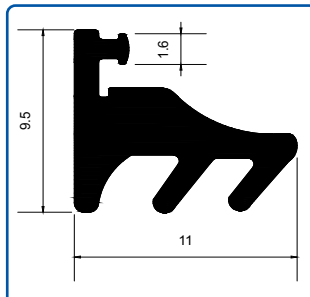
Product Code : IPTPE112

Gasket
Groove Size: 4.0mm



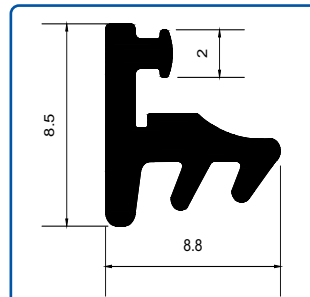
Product Code : IPTPE113

Gasket



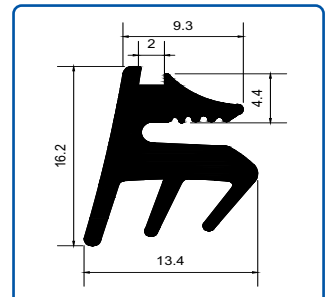
Product Code : IPTPE114

Gasket



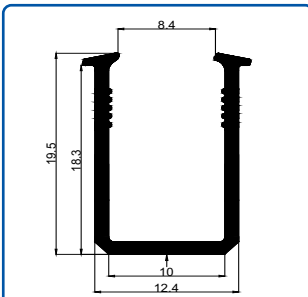
Product Code : IPTPE115

Gasket



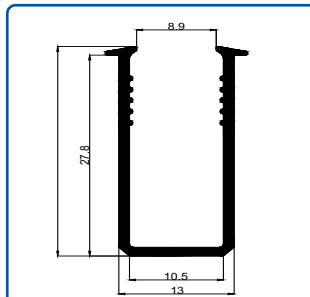
Product Code : IPTPE116

Gasket



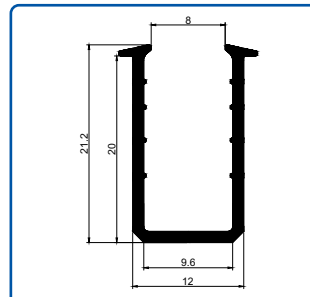
Product Code : IPTPE117

U Type Gasket



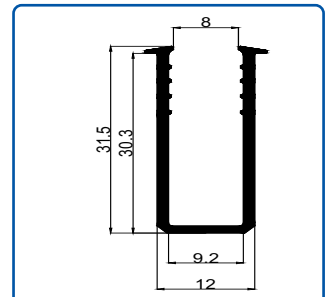
Product Code : IPTPE118

U Type Gasket



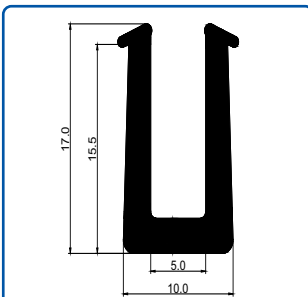
Product Code : IPTPE119

U Type Gasket



Product Code : IPTPE120

U Type Gasket



Product Code : IPTPE121

U Type Gasket



INDO PLAST AND RUBBER PVT. LTD.

Corporate Office & Factory:

Unit 6, Phase 2, Royal Industrial Hub, Poman, Kaman Bhiwandi Road,
Vasai (East), Vasai-Virar, Maharashtra 401208, India

Products & Technical Support

Tel.: +91 9892920801

Email: info@indoplastrubber.com

Website: www.indoplastrubber.com

Sales (Domestic & International)

Tel.: +91 9082122321

Email: sales@indoplastrubber.com

Scan To Download
Product Catalogue

